

HECL SERIES

EXPLOSION PROOF LUMINAIRE

The HECL SERIES Class 1, Division 2 Explosion Proof Hazardous Location Luminaire is available with a clear tempered glass lens. Typical lighting applications include industrial facilities, oil, gas, painting facilities, manufacturing, and auto service facilities.

SPECIFICATIONS AND FEATURES

HOUSING: Heavy-Duty Die Cast Aluminum Housing

LISTING AND RATINGS: ETL Listed for Hazardous Locations Per UL844 as Follows: Class 1, Division 2 Groups A, B, C, D; T4 Temperature Rating, -25°C to +50°C Ambient. Suitable for Wet Locations, IP66 Sealed LED Compartment

FINISH: Powdercoat Finish Over a Chromate Conversion Coating.

LENS: Clear Tempered Glass Lens

MOUNTING OPTIONS: Mountings Include Pendant (Conduit by Others), Ceiling Mount Box, 25° and 90° Wall Mount with Box, 25° and 90° Stanchions, and Adjustable Yoke. Yoke Mount Includes 3' 16/3 SJOOW Yellow Jacketed Cord and Rated Connector. Rated for 6 #12 AWG 90°C for Through Wiring. Mounts Shipped Separately, Field Installed.

LED: Aluminum Boards

WATTAGE: Array: 56.7w, System: 64w

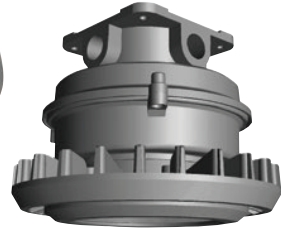
DRIVER: Electronic Driver, 120-277V, 50/60Hz; Less Than 20% THD and PF>0.90. Standard Internal Surge Protection 6kV. 0-10V Dimming Standard for a Dimming Range of 100% to 10%; Dimming Source Current is 150 Microamps.

WARRANTY: 5-Year Warranty. See Page 4 for Projected Lumen Maintenance Table.

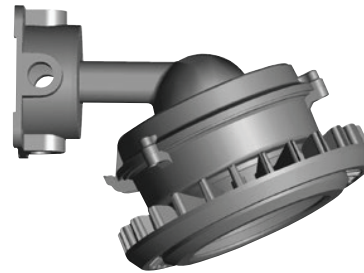
PENDANT MOUNT



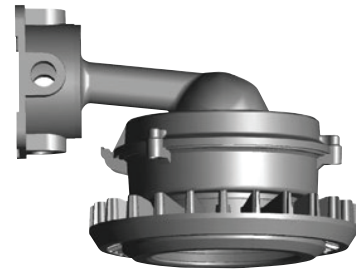
CEILING MOUNT



WALL MOUNTS

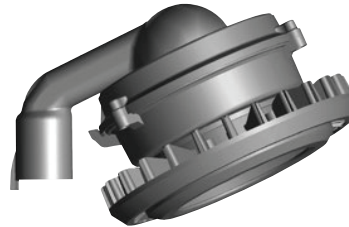


Shown with 25° Wall Mount



Shown with 90° Wall Mount

STANCHION MOUNTS

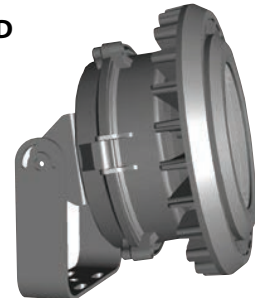


Shown with 25° Stanchion Mount



Shown with 90° Stanchion Mount

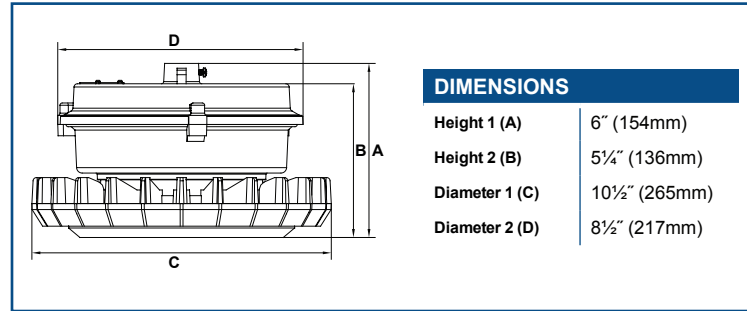
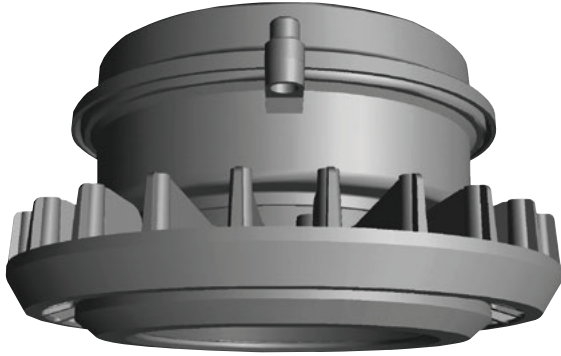
FLOOD



Shown with 25° Adjustable Yoke



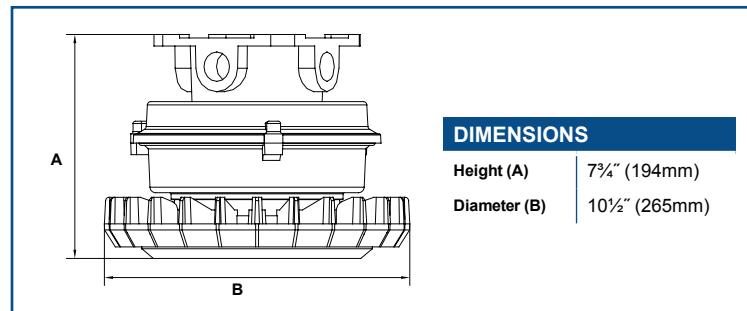
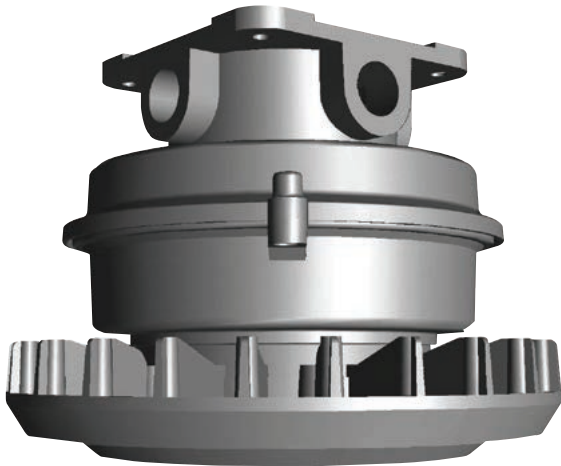
PENDANT MOUNT



½" Pendant Hub

	B	57	LV	5K	TG	GR	D	
Model	Optics	Wattage	Driver	CCT	Lens	Color	Mount	Options
HECL Hazardous Location Explosion Proof Luminaire	B=Wide	57=57w	LV=120-277V	5K=5000K	TG=Clear Tempered Glass Lens	GR=Gray	D=Pendant Mount (Conduit by Others)	SP=Surge Protection

CEILING MOUNT



¾" Entrance Plugs

	B	57	LV	5K	TG	GR	Q	
Model	Optics	Wattage	Driver	CCT	Lens	Color	Mount	Options
HECL Hazardous Location Explosion Proof Luminaire	B=Wide	57=57w	LV=120-277V	5K=5000K	TG=Clear Tempered Glass Lens	GR=Gray	Q=Ceiling Mount	SP=Surge Protection

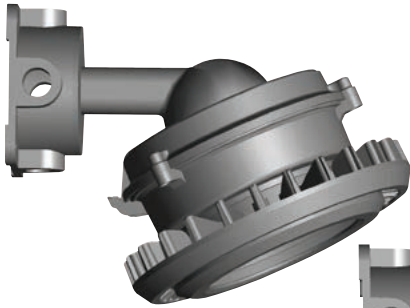
Job Name: _____

Type: _____

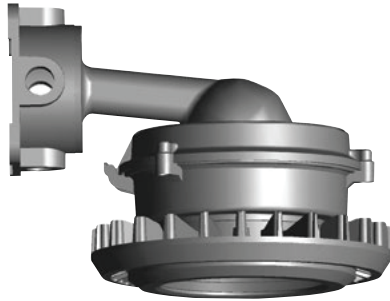
Part #: _____

Notes: _____

WALL MOUNTS



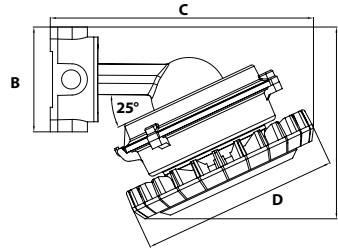
Shown with 25° Wall Mount



Shown with 90° Wall Mount

3/4" Entrance Plugs

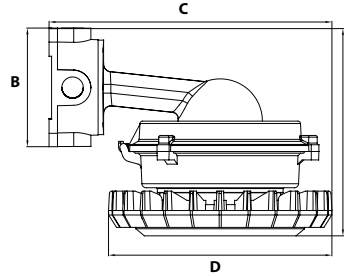
25° Wall Mount



DIMENSIONS

Height 1 (A)	10" (256mm)
Height 2 (B)	5 1/2" (140mm)
Length (C)	13 3/4" (352mm)
Width (D)	10 1/2" (265mm)

90° Wall Mount

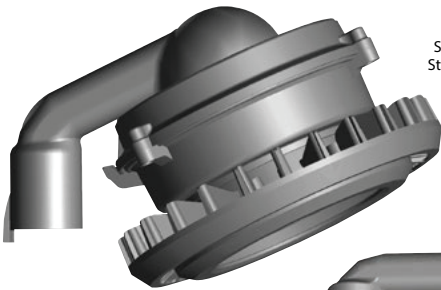


DIMENSIONS

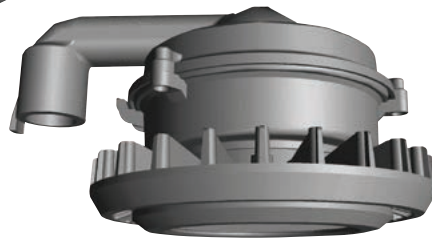
Height 1 (A)	9 3/4" (246mm)
Height 2 (B)	5 1/2" (140mm)
Length (C)	13 3/4" (336mm)
Width (D)	10 1/2" (265mm)

	B	57	LV	5K	TG	GR		
Model	Optics	Wattage	Driver	CCT	Lens	Color	Mount	Options
HECL Hazardous Location Explosion Proof Luminaire	B=Wide	57=57w	LV=120-277V	5K=5000K	TG=Clear Tempered Glass Lens	GR=Gray	W25=25° Wall Mount W90=90° Wall Mount	SP=Surge Protection

STANCHION MOUNTS



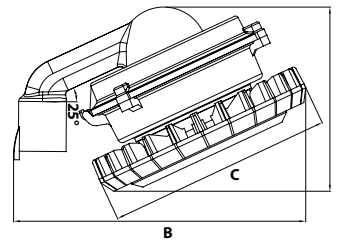
Shown with 25° Stanchion Mount



Shown with 90° Stanchion Mount

Mounts to 1 1/4" NPT

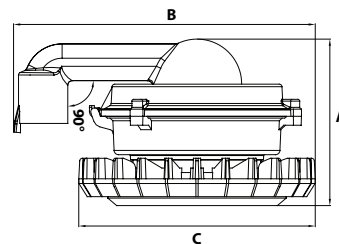
25° Stanchion



DIMENSIONS

Height 1 (A)	8 1/2" (216mm)
Length (B)	13 1/2" (343mm)
Width (C)	10 1/2" (265mm)

90° Stanchion

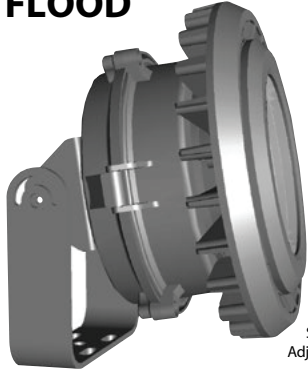


DIMENSIONS

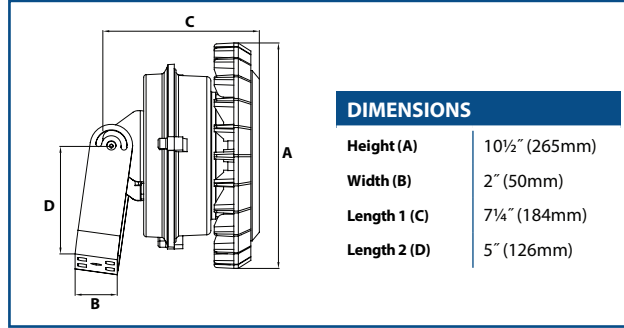
Height 1 (A)	7 1/4" (186mm)
Length (B)	13 3/4" (338mm)
Width (C)	10 1/2" (265mm)

	B	57	LV	5K	TG	GR		
Model	Optics	Wattage	Driver	CCT	Lens	Color	Mount	Options
HECL Hazardous Location Explosion Proof Luminaire	B=Wide	57=57w	LV=120-277V	5K=5000K	TG=Clear Tempered Glass Lens	GR=Gray	S25=25° Stanchion S90=90° Stanchion	SP=Surge Protection

FLOOD

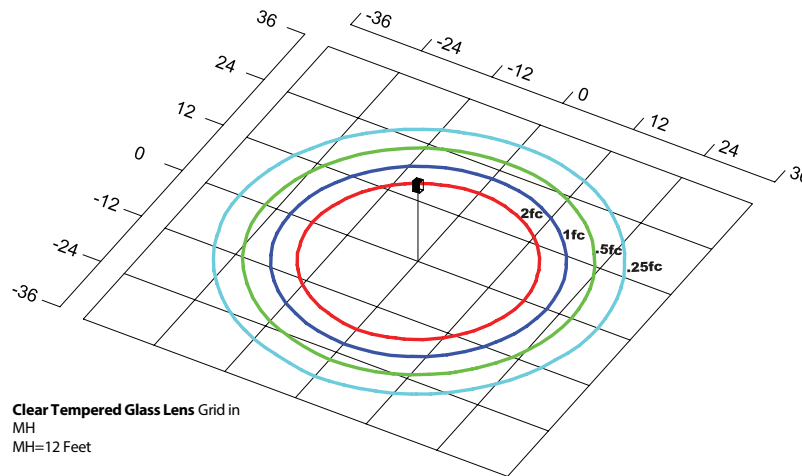
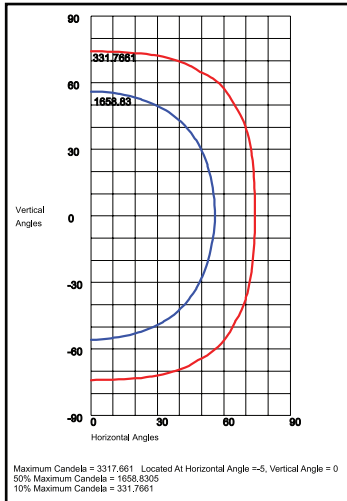


Shown with Adjustable Yoke



	B	57	LV	5K	TG	GR	E	
Model	Optics	Wattage	Driver	CCT	Lens	Color	Mount	Options
HECL Hazardous Location Explosion Proof Luminaire	B=Wide	57=57w	LV=120-277V	5K=5000K	TG=Clear Tempered Glass Lens	GR=Gray	E=Adjustable Yoke	SP=Surge Protection

PHOTOMETRIC DATA



Clear Tempered Glass Lens

PHOTOMETRIC PERFORMANCE

LED Board Watts	Drive Current (mA)	Input Watts	Optics	5000 CCT 80 CRI	
				Lumens	LPW
57w (Clear Lens)	175	64	F 110°H x 110°V, NEMA 7H x 7V	8,957	140

PROJECTED LUMEN MAINTENANCE

Data shown for 5000 CCT			Compare to MH			
TM-21-11	Input Watts	Initial	25,000 Hrs	50,000 Hrs	100,000 Hrs	Calculated L70 at 25°C
L70 Lumen Maintenance at 25°C / 77°F						
	64	1.00	0.96	0.92	0.84	183,000
L80 Lumen Maintenance at 50°C / 104°F						
	64	1.00	0.93	0.86	0.71	105,000
L80 Lumen Maintenance at 40°C / 104°F						
	64	1.00	0.94	0.88	0.75	81,000

NOTES:

- Projected per IESNA TM-21-11. Data references the extrapolated performance projections for the 175mA base model in a 25°C ambient, based on 10,000 hours of LED testing per IESNA LM-80-08.
- Compare to MH box indicates suggested Light Loss Factor (LLF) to be used when comparing to Metal Halide (MH) systems.