

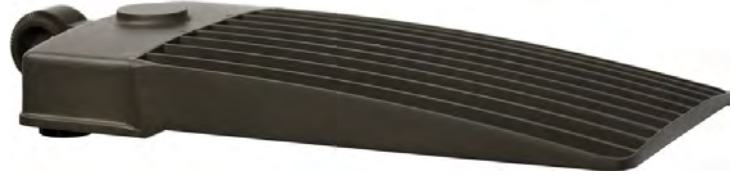
# ETH-A0

**LED Area Light**  
**3-Wattages, Wet Rated, 170 lm/W, Dimmable + Smart**

## FEATURES

<b>Lumen Output</b>	17000 to 51000 lumens
<b>Efficacy</b>	170 lm/W
<b>Input Voltage</b>	120-277V
<b>Dimmable</b>	0-10V Continuous
<b>CCT</b>	4000K, 5000K
<b>Rating</b>	Wet Location
<b>Warranty</b>	5 Years

Bronze, White, and Black Housing Available



## APPLICATIONS

Premium outdoor luminaire suitable for parking areas, auto dealerships, industrial yards, building exteriors, roadways, alleys, and pedestrian walkways.

## CONSTRUCTION

Manufactured for weather-proof durability using solid heavy duty die cast aluminum housing with anti-UV polyester coating to resist water, salt, corrosion, discoloration, and scratching. Wet Location rated. Impact Protection IK10, Neutral Salt Spray Rating Grade 9, Vibration Acceleration Rating 3g.

## ELECTRICAL

Input voltages 120-277V models with 0-10V Continuous Dimming. Tunable  
 3-Wattages. Operating temperatures -4°F to 122°F (-20°C to 50°C  
 Surge Protection Rating 3kV-6.6kV: L-N, 5kV-10kV.

## MOUNTING

Adjustable options include Slip-Fit, Round /Square Pole, and Trunnion Mounts.

## OPTICS

Anti-UV Clear Polycarbonate IES /NEMA Type 3 Lens standard. Lens Type 2, Type 4, Type 5, and Glare Shield available.

## CONTROLS

Fixture integrated Shorting Cap, Photocell, or Microwave Sensor with Daylight Priority available. Remote Control available.

## LISTINGS

DLC Premium listed. UL certified to meet US and Canadian standards. FCC and RoHS compliant.

## WARRANTY

5 year exclusive limited warranty.



\*Mounts available in matching colors

Slip-Fit Mount



Trunnion Mount



Square/ Round Pole Mount



Smart Sensor



Remote Control



LCD Remote Control



## CORRELATED COLOR TEMPERATURES (CCT)

4000K



5000K





Job Name: \_\_\_\_\_

Type: \_\_\_\_\_

Part #: \_\_\_\_\_

Notes: \_\_\_\_\_

### ORDERING INFORMATION

Model	Wattage	Voltage	Current	Lumens	Efficacy	CCT	Dimming	Color	Dimensions
ETH-A0-200-150-100-4K	(100W, 150W, 200W)	120-277V	0.92A@120V, 0.40A@277V 1.38A@120V, 0.60A@277V 1.83A@120V, 0.79A@277V	17000 25500 34000	170 lm/W	4000K	0-10V	Bronze	17.91"L x 12.40"W x 2.55"H
ETH-A0-200-150-100-5K	(100W, 150W, 200W)	120-277V	0.92A@120V, 0.40A@277V 1.38A@120V, 0.60A@277V 1.83A@120V, 0.79A@277V	17000 25500 34000	170 lm/W	5000K	0-10V	Bronze	17.91"L x 12.40"W x 2.55"H
ETH-A0-300-260-240-4K	(240W, 260W, 300W)	120-277V	2.20A@120V, 0.95A@277V 2.38A@120V, 1.03A@277V 2.75A@120V, 1.19A@277V	40800 44200 51000	170 lm/W	4000K	0-10V	Bronze	22.79"L x 12.40"W x 2.55"H
ETH-A0-300-260-240-5K	(240W, 260W, 300W)	120-277V	2.20A@120V, 0.95A@277V 2.38A@120V, 1.03A@277V 2.75A@120V, 1.19A@277V	40800 44200 51000	170 lm/W	5000K	0-10V	Bronze	22.79"L x 12.40"W x 2.55"H
ETH-A0-200-150-100-5K-WH	(100W, 150W, 200W)	120-277V	0.92A@120V, 0.40A@277V 1.38A@120V, 0.60A@277V 1.83A@120V, 0.79A@277V	17000 25500 34000	170 lm/W	5000K	0-10V	White	17.91"L x 12.40"W x 2.55"H
ETH-A0-300-260-240-5K-WH	(240W, 260W, 300W)	120-277V	2.20A@120V, 0.95A@277V 2.38A@120V, 1.03A@277V 2.75A@120V, 1.19A@277V	40800 44200 51000	170 lm/W	5000K	0-10V	White	22.79"L x 12.40"W x 2.55"H
ETH-A0-200-150-100-5K-BK	(100W, 150W, 200W)	120-277V	0.92A@120V, 0.40A@277V 1.38A@120V, 0.60A@277V 1.83A@120V, 0.79A@277V	17000 25500 34000	170 lm/W	5000K	0-10V	Black	17.91"L x 12.40"W x 2.55"H
ETH-A0-300-260-240-5K-BK	(240W, 260W, 300W)	120-277V	2.20A@120V, 0.95A@277V 2.38A@120V, 1.03A@277V 2.75A@120V, 1.19A@277V	40800 44200 51000	170 lm/W	5000K	0-10V	Black	22.79"L x 12.40"W x 2.55"H

## SPECIFICATIONS

### ENERGY DATA

**Input Voltage:** 120-277V

**Input Frequency:** 50/60 Hz

**Wattage:** 3-Wattages (200W Max, 300W Max) **Power**

**Factor:** >0.9

**Total Harmonic Distortion (THD):** <15%

**Operating Temperature:** -4°F to 122°F (-20°C to 50°C)

### LIGHTING DATA

**Lumens:** 17000 to 51000

**Lumens Per Watt:** 170 lm/W

**Correlated Color Temperature (CCT):** 4000K,

**5000K Dimmable:** 0-10V

**Color Rendering Index (CRI):** >70

**L70:** 75000 hours

Optics	Mount	Control
<b>T2</b> Type II Lens	<b>A0-SF</b> Slip-Fit Mount (Bronze)	<b>HDPC</b> Photocell Sensor Cap
<b>T4</b> Type IV Lens	<b>A0-PM</b> Square or Round Adjustable Pole Mount	<b>HD06VCRH 3</b> Microwave Sensor Cap with Daylight Priority
<b>T5</b> Type V Lens	<b>A0-TR</b> (Bronze) Trunnion Mount (Bronze)	<b>HD03R</b> Remote Control for Smart Sensor Settings
<b>A0-GS</b> Glare Shield	<b>A0-SF-WH</b> Slip-Fit Mount (White)	<b>HD05R</b> Remote Control for Smart Sensor Settings
<b>(Blank)</b> Type III Lens (Standard)	<b>A0-PM-WH</b> Square or Round Adjustable Pole Mount	<b>(Blank)</b> w/ LCD None, Shorting Cap
	<b>A0-TR-WH</b> (White) Trunnion Mount (White)	
	<b>A0-SF-BK</b> Slip-Fit Mount (Black)	
	<b>A0-PM-BK</b> Square or Round Adjustable Pole Mount	
	<b>A0-TR-BK</b> (Black) Trunnion Mount (Black)	

Job Name: \_\_\_\_\_

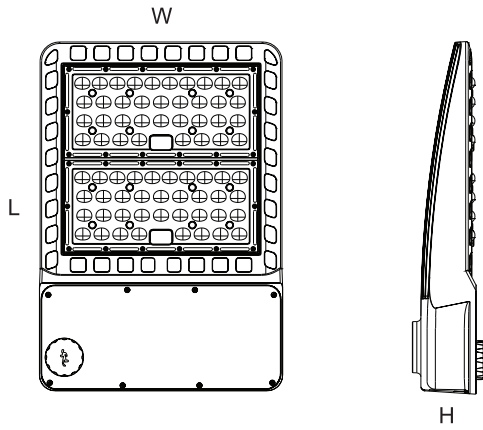
Type: \_\_\_\_\_

Part #: \_\_\_\_\_

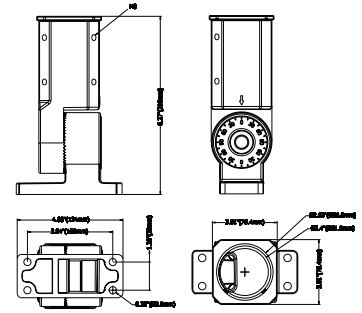
Notes: \_\_\_\_\_

### 200W Max Model

17.91"L x 12.40"W x 2.55"H

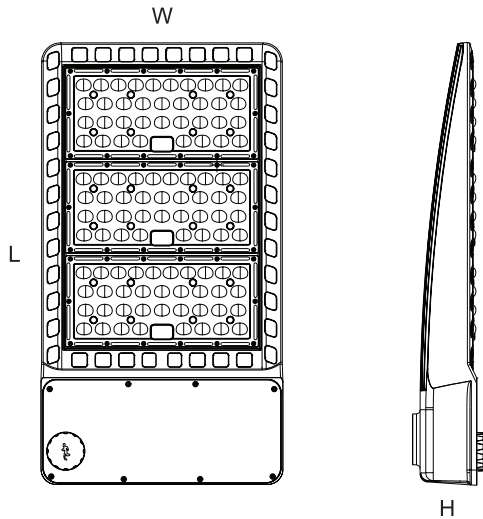


### Slip-Fit Mount

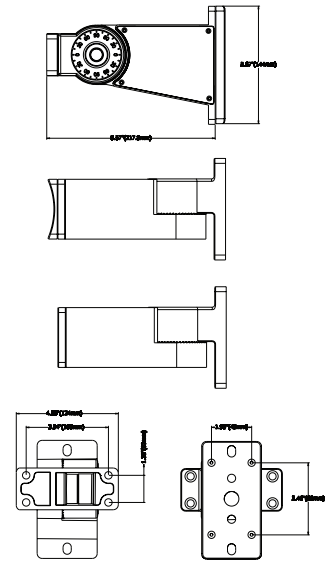


### 300W Model

22.79"L x 12.40"W x 2.55"H



### Round/Square Pole Mount



### Trunnion Mount

