

## HSAFJA

### LED Area Lighting for Hazardous Locations

- Class I, Division 2, Groups A, B, C, & D
- Class II, Divisions 1 & 2, Groups E, F & G
- Class III
- UL 1598A Marine Outside Type
- UL 1598 Wet Locations
- UL 844 Hazardous Locations
- UL 8750 LED Safety
- Tested to LM 79 & LM 80
- 65° C Ambient Temperature
- NEMA 4X
- IP66
- CUL
- IECEX

Ex nA IIC T\* Gc

Ex tb IIIC T\*°C Db

-40°C ≤ Ta ≤ 55°C

-40°C ≤ Ta ≤ 65°C

Certificate: IECEX UL 18.0035X

- ATEX

⊕ II 3 G

Ex nA IIC T\* Gc

-40°C ≤ Ta ≤ 55°C

-40°C ≤ Ta ≤ 65°C

Certificate: DEMKO 18 ATEX 1797X

⊕ II 2 D

Ex tb IIIC T\*°C Db IP66

-40°C ≤ Ta ≤ 55°C

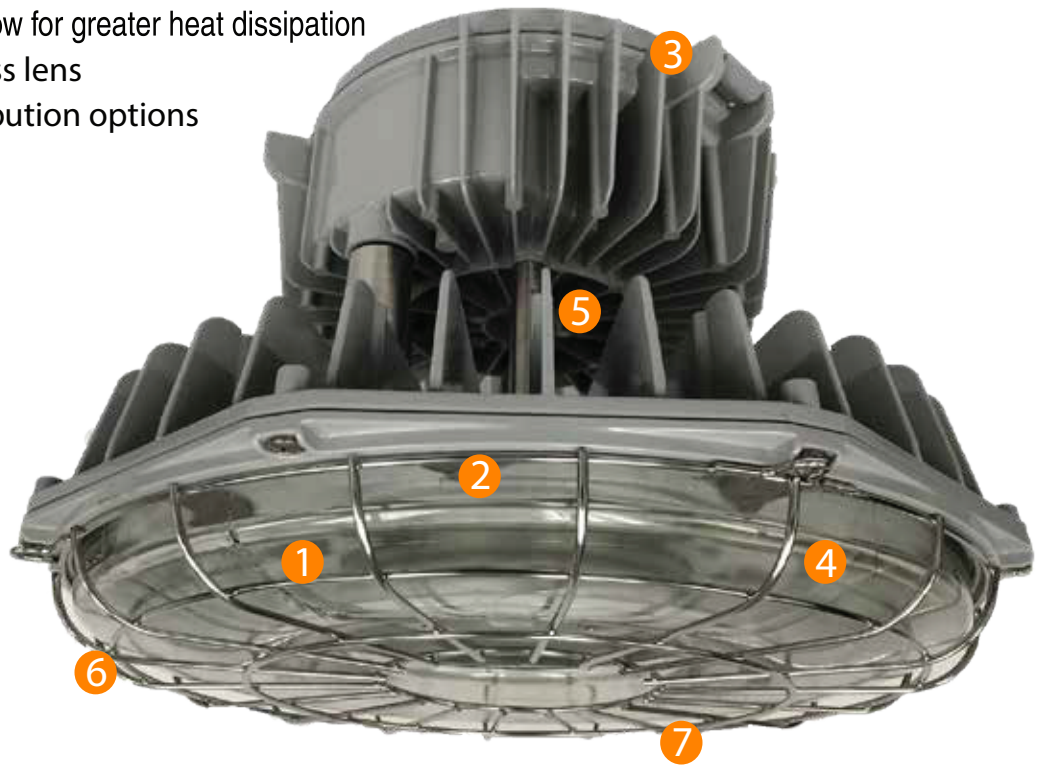
-40°C ≤ Ta ≤ 65°C

Certificate: DEMKO 18 ATEX 2047X



## Key Features:

- ① Wide distribution pattern
- ② Field replaceable LEDs and drivers
- ③ Hinged mount for easy access to internal components
- ④ Isolated LED compartment reduces temperature within driver housing
- ⑤ Unique design enhances airflow for greater heat dissipation
- ⑥ Heavy-duty tempered glass lens
- ⑦ Type I, III and V light distribution options



## Additional Features:

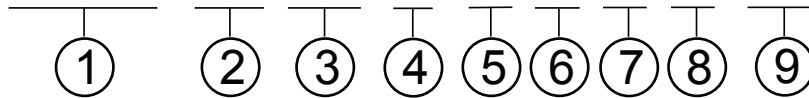
- Standard 10kV surge protection
- Pendant, ceiling, wall and stanchion mounting options
- Terminal block
- Mates directly to SAFJ HID and select competitor mounts
- Dimming option
- Optional stainless steel guard
- 5-year warranty

## Standard Materials:

- Body: A360 aluminum (less than .4% copper content) with baked-on gray epoxy finish
- Gaskets: One-piece silicone
- Lens: Borosilicate Glass
- Hardware: Stainless Steel

## Catalog Number Logic

HSAFJA-24-L3- U-G- 1-G-P- XX



- |   |   |
|---|---|
| <p><b>① BASIC LUMINAIRE</b><br/>HSAFJALED = N. American Standards<br/>HEXSAFJA LED = IEC, ATEX Standards<sup>1</sup></p> <p><b>② LAMP CURRENT / LAMP WATTAGE</b><br/>16 = 160 Watts<br/>21 = 210 Watts<br/>24 = 240 Watts</p> <p><b>③ LAMP TYPE</b><br/>L3=LED</p> <p><b>④ DRIVER VOLTAGE</b><br/>U = 120-277V 50/60<br/>HZN = 347/480V 60HZ</p> <p><b>⑤ GLOBE</b><br/>G = Clear Glass Globe</p> <p><b>⑥ OPTICS</b><br/>Blank = Type V Light Distribution<br/>1 = Type I Light Distribution<br/>3 = Type III Light Distribution</p> | <p><b>⑦ GUARD</b><br/>G = Stainless Wire Guard</p> <p><b>⑧ MOUNTING STYLE</b><br/>P = ¾" Pendant Mount<br/>P1 = 1" Pendant Mount<br/>C = ¾" Ceiling Mount<br/>C1 = 1" Ceiling Mount<br/>W = ¾" Wall Mount<br/>W1 = 1" Wall Mount<br/>S = 1-¼" 25° Stanchion Mount<br/>S1 = 1-½" 25° Stanchion Mount<br/>L = 1-¼" 90° Stanchion Mount<br/>L1 = 1-½" 90° Stanchion Mount</p> <p><b>⑨ OPTIONS<sup>1</sup></b><br/>FB1 = Single Fuse Bloc<sup>2,3k</sup><br/>FB2 = Double Fuse Bloc<sup>2,3k</sup><br/>30 = 3000K CCT<br/>35 = 3500K CCT<br/>40 = 4000K CCT</p> <p><sup>1</sup>Consult factory for pricing.<br/><sup>2</sup>Not available with universal driver unless incoming voltage is specified. When installed, one fuse block is provided for 120 &amp; 277V and two fuse blocks are provided for 208, 220, 240, 347 and 480V. Fuse not provided.<br/><sup>3</sup>FB option not available for marine listed fixtures or EXSAFJ models.</p> |
|---|---|



Job Name: \_\_\_\_\_

Type: \_\_\_\_\_

Part #: \_\_\_\_\_

Notes: \_\_\_\_\_

# Certification Guide - HAFJA

Model	Mount	Wattage	Operating Voltage	Total Lumens	Lumens per Watt	CRI	CCT	Ambient Temperature	Class I, Div. 2, Group A, B, C & D	Class II, Div. 2, Group E, F & G Class III	Simultaneous Presence	Supply Wire Suitable Temperature, °C
HSAFJA16L3UG	P, C, W, S, L	160W	120V - 277V 50/60 Hz	20,088	125.2	82.6	5035	-40°C < Tamb < 65°C*	T2D	N/A	N/A	90°C
HSAFJA16L3*G	P, C, W, S, L	160W	120V - 277V 50/60 Hz, 347V/480V 60Hz	20,088	125.2	82.6	5035	-40°C < Tamb < 55°C*	T3	T4A	T2B	90°C
HSAFJA16L3*G1	P, C, W, S, L	160W		14,345	89.1	85.3	5178	-40°C < Tamb < 55°C	T2D	T4	T2A	90°C
HSAFJA16L3*G3	P, C, W, S, L	160W		16,708	103.6	84.3	5065	-40°C < Tamb < 55°C	T2D	T4	T2A	90°C
HSAFJA21L3UG	P, C, W, S, L	210W	120V - 277V 50/60 Hz	26,001	128.1	82.5	4994	-40°C < Tamb < 65°C*	T2D	N/A	N/A	90°C
HSAFJA21L3*G	P, C, W, S, L	210W	120V - 277V 50/60 Hz, 347V/480V 60Hz	26,001	128.1	82.5	4994	-40°C < Tamb < 55°C*	T3	T4A	T2B	90°C
HSAFJA21L3*G1	P, C, W, S, L	210W		18,184	89.6	85.3	5171	-40°C < Tamb < 55°C	T2D	T4	T2A	90°C
HSAFJA21L3/8G3	P, C, W, S, L	210W		21,023	103.6	84.3	5037	-40°C < Tamb < 55°C	T2D	T4	T2A	90°C
HSAFJA24L3UG	P, C, W, S, L	240W	120V - 277V 50/60 Hz	30,815	127.6	83.7	5003	-40°C < Tamb < 65°C*	T2D	N/A	N/A	90°C
HSAFJA24L3*G	P, C, W, S, L	240W	120V - 277V 50/60 Hz, 347V/480V 60Hz	30,815	127.6	83.7	5003	-40°C < Tamb < 55°C*	T3	T4A	T2B	90°C
HSAFJA24L3*G1	P, C, W, S, L	240W		21,813	90.5	86.7	5199	-40°C < Tamb < 55°C	T2D	T4	T2A	90°C
HSAFJA24L3*G3	P, C, W, S, L	240W		25,370	105.1	85.7	5076	-40°C < Tamb < 55°C	T2D	T4	T2A	90°C

\* U or N models

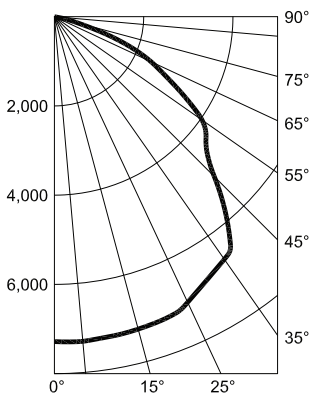
# Certification Guide - EXSAFJ

Model	Mount	Wattage	Operating Voltage	Total Lumens	Lumens per Watt	CRI	CCT	Ambient Temperature	Non-Sparking (nA)	Dust (tb)	Simultaneous (nA and tb)
HEXSAFJA16L3UG	P, C, W, S, L	160W	120V - 277V 50/60 Hz	20,088	125.2	82.6	5035	-40°C < Tamb < 65°C*	Ex II 3 G Ex nA IIC T251°C Gc	Ex II 2 D Ex tb IIIC T92°C Db IP66	Ex II 3 G Ex nA IIC T251°C Gc Ex II 2 D Ex tb IIIC T92°C Db IP66
HEXSAFJA16L3NG	P, C, W, S, L	160W	347V/480V 60Hz	20,088	125.2	82.6	5035	-40°C < Tamb < 55°C*	Ex II 3 G Ex nA IIC T241°C Gc	Ex II 2 D Ex tb IIIC T82°C Db IP66	Ex II 3 G Ex nA IIC T241°C Gc Ex II 2 D Ex tb IIIC T82°C Db IP66
HEXSAFJA16L3*G1	P, C, W, S, L	160W	120V - 277V 50/60 Hz, 347V/480V 60Hz	14,345	89.1	85.3	5178	-40°C < Tamb < 55°C	Ex II 3 G Ex nA IIC T280°C Gc	Ex II 2 D Ex tb IIIC T82°C Db IP66	Ex II 3 G Ex nA IIC T280°C Gc Ex II 2 D Ex tb IIIC T82°C Db IP66
HEXSAFJA16L3*G3	P, C, W, S, L	160W		16,708	103.6	84.3	5065	-40°C < Tamb < 55°C	Ex II 3 G Ex nA IIC T280°C Gc	Ex II 2 D Ex tb IIIC T82°C Db IP66	Ex II 3 G Ex nA IIC T280°C Gc Ex II 2 D Ex tb IIIC T82°C Db IP66
HEXSAFJA21L3UG	P, C, W, S, L	210W	120V - 277V 50/60 Hz	26,001	128.1	82.5	4994	-40°C < Tamb < 65°C*	Ex II 3 G Ex nA IIC T251°C Gc	Ex II 2 D Ex tb IIIC T92°C Db IP66	Ex II 3 G Ex nA IIC T251°C Gc Ex II 2 D Ex tb IIIC T92°C Db IP66
HEXSAFJA21L3NG	P, C, W, S, L	210W	347V/480V 60Hz	26,001	128.1	82.5	4994	-40°C < Tamb < 55°C*	Ex II 3 G Ex nA IIC T241°C Gc	Ex II 2 D Ex tb IIIC T82°C Db IP66	Ex II 3 G Ex nA IIC T241°C Gc Ex II 2 D Ex tb IIIC T82°C Db IP66
HEXSAFJA21L3*G1	P, C, W, S, L	210W	120V - 277V 50/60 Hz, 347V/480V 60Hz	18,184	89.6	85.3	5171	-40°C < Tamb < 55°C	Ex II 3 G Ex nA IIC T280°C Gc	Ex II 2 D Ex tb IIIC T82°C Db IP66	Ex II 3 G Ex nA IIC T280°C Gc Ex II 2 D Ex tb IIIC T82°C Db IP66
HEXSAFJA21L3*G3	P, C, W, S, L	210W		21,023	103.6	84.3	5037	-40°C < Tamb < 55°C	Ex II 3 G Ex nA IIC T280°C Gc	Ex II 2 D Ex tb IIIC T82°C Db IP66	Ex II 3 G Ex nA IIC T280°C Gc Ex II 2 D Ex tb IIIC T82°C Db IP66
HEXSAFJA24L3UG	P, C, W, S, L	240W	120V - 277V 50/60 Hz	30,815	127.6	83.7	5003	-40°C < Tamb < 65°C*	Ex II 3 G Ex nA IIC T251°C Gc	Ex II 2 D Ex tb IIIC T92°C Db IP66	Ex II 3 G Ex nA IIC T251°C Gc Ex II 2 D Ex tb IIIC T92°C Db IP66
HEXSAFJA24L3NG	P, C, W, S, L	240W	347V/480V 60Hz	30,815	127.6	83.7	5003	-40°C < Tamb < 55°C*	Ex II 3 G Ex nA IIC T241°C Gc	Ex II 2 D Ex tb IIIC T82°C Db IP66	Ex II 3 G Ex nA IIC T241°C Gc Ex II 2 D Ex tb IIIC T82°C Db IP66
HEXSAFJA24L3*G1	P, C, W, S, L	240W	120V - 277V 50/60 Hz, 347V/480V 60Hz	21,813	90.5	86.7	5199	-40°C < Tamb < 55°C	Ex II 3 G Ex nA IIC T280°C Gc	Ex II 2 D Ex tb IIIC T82°C Db IP66	Ex II 3 G Ex nA IIC T280°C Gc Ex II 2 D Ex tb IIIC T82°C Db IP66
HEXSAFJA24L3*G3	P, C, W, S, L	240W		25,370	105.1	85.7	5076	-40°C < Tamb < 55°C	Ex II 3 G Ex nA IIC T280°C Gc	Ex II 2 D Ex tb IIIC T82°C Db IP66	Ex II 3 G Ex nA IIC T280°C Gc Ex II 2 D Ex tb IIIC T82°C Db IP66

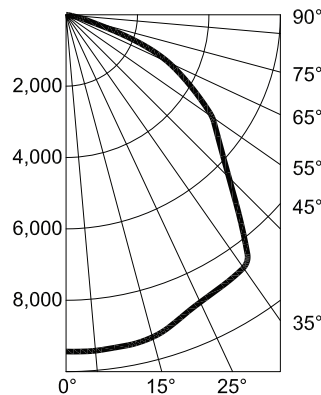
\* U or N models

## Photometric Data

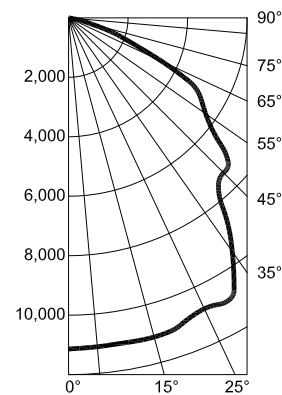
### HSAFJA16L3UG



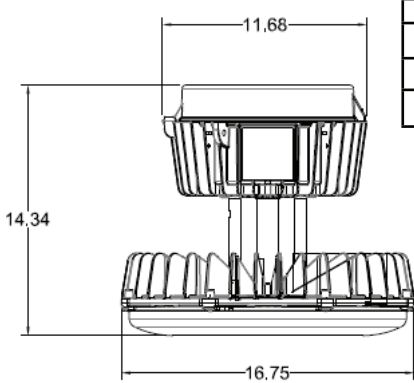
### HSAFJA21L3UG



### HSAFJA24L3UG

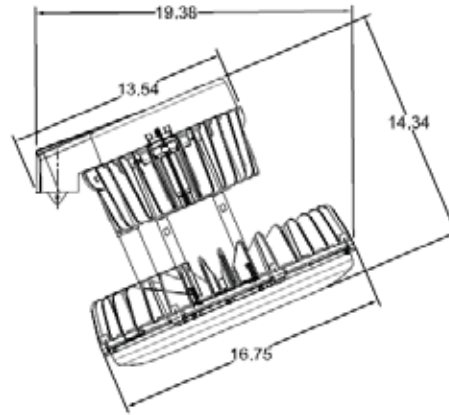


### Pendant mount



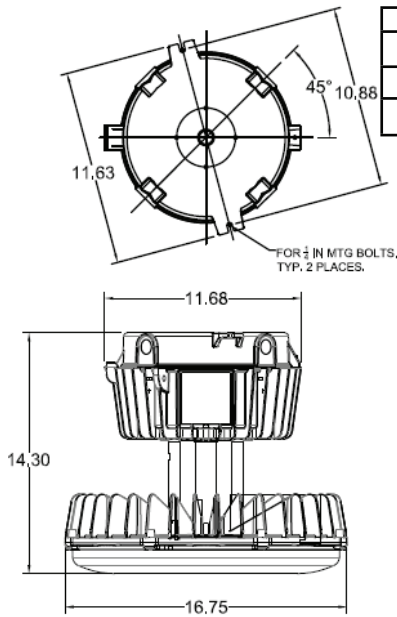
Fixture	Weight
HSAFJA24L3UG	42 lbs.
HSAFJA21L3UG	40 lbs.
HSAFJA16L3UG	38 lbs.

### 25° Stanchion Mount



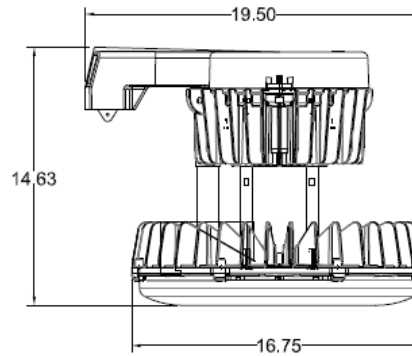
Fixture	Weight
HSAFJA24L3UG	44 lbs.
HSAFJA21L3UG	42 lbs.
HSAFJA16L3UG	40 lbs.

### Ceiling Mount



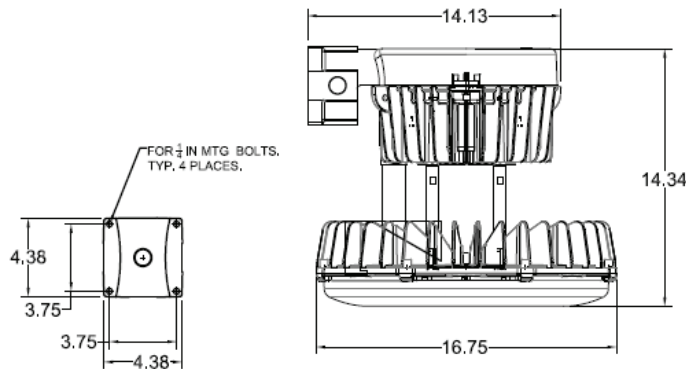
Fixture	Weight
HSAFJA24L3UG	42 lbs.
HSAFJA21L3UG	40 lbs.
HSAFJA16L3UG	38 lbs.

### 90° Stanchion Mount



Fixture	Weight
HSAFJA24L3UG	45 lbs.
HSAFJA21L3UG	43 lbs.
HSAFJA16L3UG	41 lbs.

### Wall Mount



Fixture	Weight
HSAFJA24L3UG	45 lbs.
HSAFJA21L3UG	43 lbs.
HSAFJA16L3UG	41 lbs.








Job Name: \_\_\_\_\_

Type: \_\_\_\_\_

Part #: \_\_\_\_\_

Notes: \_\_\_\_\_

Outlet Boxes	Catalog No.	Conduit Hub Size (In.)	Shipping Weight (Lbs.)
Rigid Pendant 	JMP	3/4	3.0
	JMP1	1	3.0
Ceiling Mount 	JMC	3/4	3.5
	JMC1	1	3.5
Wall Mount 	JMW	3/4	6.0
	JMW1	1	6.0
25° Stanchion Mount 	JMS	1-1/4	5.0
	JMS1	1-1/2	5.0
90° Stanchion Mount 	JML	1-1/4	6.0
	JML1	1-1/2	6.0

Globes And Guards	Catalog No.	Description	Shipping Weight (Lbs.)
Guard 	86324	Stainless Steel Wire Guard	1.0
Clear Glass Globe 	36242	Clear Glass Globe	9.0