

# HWWP2

## Traditional Wall Pack – Lumen & Kelvin Field Selectable – Emergency Driver

### FEATURES

- Field selectable 4000k (neutral white) and 5000k (cool white) color temperatures.\*
- Long-life LEDs provide at least 70% of initial lumen output ( $L_{70}$ ) for  $\geq 139,000$  hours of operation, and at least 90% of initial lumen output ( $L_{90}$ ) for  $\geq 42,000$  hours of operation.\*
- LED chromaticity based on < 5-step ANSI quadrangles.
- LED color maintenance < 0.003 chromaticity shift ( $\Delta u'v'$ ) over the initial 6,000 hours of operation.
- Provides a range of 6,400 to 16,600 nominal lumens and 133 to 152 nominal lumens per watt (lm/W).
- 0-10vdc dimming drivers are standard.
- Universal 120-277 AC voltage (50-60Hz) is standard.
- Power factor > 0.90.
- Total harmonic distortion < 20%.
- Color rendering index ( $R_a$ ) > 80.
- Integral emergency driver is standard.
- Cast aluminum housing with dark bronze, powder coat finish.
- Glass lens.
- Three  $\frac{1}{2}$ " NPT threaded openings.
- Easy installation in new construction or retrofit applications.

\* Contact factory for other color temperatures and lumen packages.

\*\*  $L_{70}$  &  $L_{90}$  hours are IES TM-21-11 calculated hours.

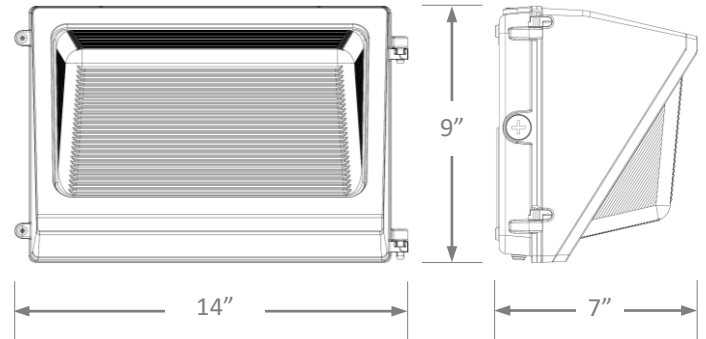
### WARRANTY & LISTINGS

- cULus listed for wet locations in ambient temperatures from 1°C to 38°C (33°F to 100°F).\*
- IP65 rated for ingress protection.
- DLC premium approved.
- Complies with FCC Part 15, class A.
- Surge protection = 4kV.
- 5-year warranty of all electronics and housing.

### STANDARD



### DIMENSIONS



**Weight: 75W = 8 lbs / 120W = 8 lbs**

### ORDERING INFORMATION

Example: HWWP2-75W-U-CS-E

Series	Nominal Watts	Voltage		Select	Emergency
HWWP2	75W 120W	U	Universal 120-277V	CS Lumen/kelvin field selectable	E