



Job Name: \_\_\_\_\_

Type: \_\_\_\_\_

Part #: \_\_\_\_\_

Notes: \_\_\_\_\_

# LSXS

## Compact Thermoplastic Exit Sign



### ILLUMINATION

- Ultra bright, energy efficient, long life Red or Green LED.

### ELECTRICAL

- Dual 120/277 voltage.
- Charge rate/power "ON" LED indicator light and push-to-test switch for mandated code compliance testing.
- 1.2V Long life, maintenance-free, rechargeable NiCd battery.
- Internal solid-state transfer switch automatically connects the internal battery to LED board for minimum 90-minute emergency illumination.
- Fully automatic solid-state, two rate charger initiates battery charging to recharge a discharged battery in 24 hours.

### MOUNTING

- EZ-snap mounting canopy included for top or end mount.
- Universal knockout pattern on back plate for wall mount.

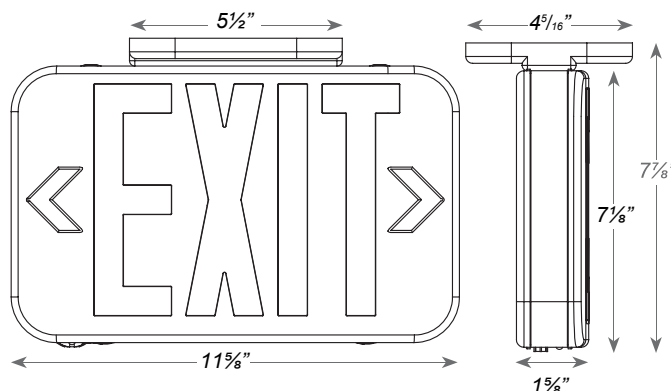
### HOUSING

- Injection-molded, engineering grade, 5VA flame retardant, high-impact resistant, thermoplastic in white or black finish.
- Aesthetically pleasing, curved face, rounded corner design.
- EZ snap-out chevron directional indicators.

### OPTIONS

- SDT: Self-diagnostic feature performs monthly, biannual, and annual tests to ensure reliable operation and meet electrical and life safety codes. Universal 120-277 voltage.
- Custom: Signs available with requested 'special' wording.
- USA: Substantial transformation assembly in the U.S. complies with "Assembled in USA" under the Buy American Act.

### DIMENSIONS



### WARRANTY / LISTING

- Five year warranty on all electronics and housing. Battery prorated for five years.
- Meets UL924, NFPA 101 Life Safety Code, NEC, OSHA, Local and State Codes.
- UL Listed for damp locations (0°C – 50°C).
- Certified to CEC under Title 20 Regulations.

#### STANDARD



#### OPTIONAL



### ORDERING INFORMATION

Sample Part Number: **EZRXTU2RWEM**

*SALIDA face plate option available. Check with your LSL 24/7 Representative.*

MODEL	No. of FACES	LETTER COLOR	HOUSING COLOR	BATTERY	BATTERY
LSXS	2 <i>Universal Single/Double Face</i>	R Red	W White	(blank) AC Only	SDT Self-Diagnostics <sup>2,3</sup>
		G Green	B Black	EM	Custom Custom wording
		RG Red/Green <sup>1</sup>			USA Assembled in USA

<sup>1</sup>: Field selectable  
<sup>2</sup>: Available only with EM units.  
<sup>3</sup>: Not available with RG units.



Job Name: \_\_\_\_\_

Type: \_\_\_\_\_

Part #: \_\_\_\_\_

Notes: \_\_\_\_\_

### ELECTRICAL INFORMATION

CATALOG NUMBER	INPUT WATTS (W)		INPUT AMPS (A)	
	120V	277V	120V	277V
LSXS-RED/GREEN EM	1.0	1.0	0.1	0.1
LSXS-RED SDT	2.5	2.5	0.05	0.05
LSXS-GREEN SDT	2.7	2.7	0.05	0.05