

Job Name: _____

Type: _____

Part #: _____

Notes: _____

LSMRHLED

LED MINI INDOOR THERMOPLASTIC REMOTE HEAD

ILLUMINATION

- Adjustable, long lasting, efficient, ultra bright white LED lamp heads.
- One, 0.5 watt white LED per lamp head
- Unique all-inclusive lamp, reflector and lens assembly.

ELECTRICAL

- Powered from low voltage power source with low voltage wiring (not provided).

MOUNTING

- Universal mounting adapter plate included. Mounts to single-gang switch box.
- Distance of maximum run is determined by system voltage, wire gauge and total maximum wattage on the run.
- Suitable for wall or ceiling mount.

HOUSING

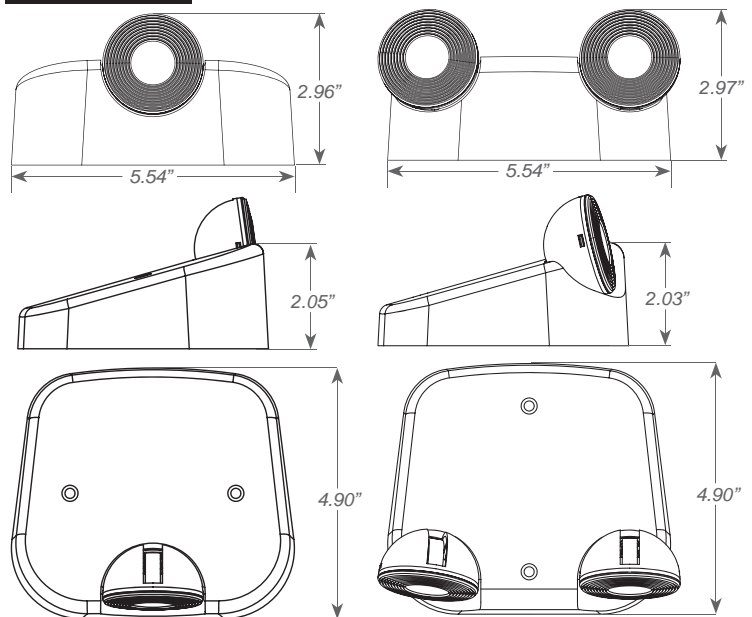
- Injection-molded, engineering grade, 5VA flame retardant, high-impact resistant, thermoplastic in white or black finish.

WARRANTY / LISTING

- Five year warranty.
- UL Listed with approved Best Lighting Products.
- Meets UL924, NFPA 101 Life Safety Code, NEC, OSHA, Local and State Codes.



DIMENSIONS



FIXTURE COMPATIBILITY CHART

Reference individual unit equipment specification sheets for remote load capacity availability.

MODEL TYPE	3.6V
CKXTEU-RC	X
LEDR-5HO	X
E-1-RC	X
CEU-RC	X
CTXTE-RC	X

Model	No. of Heads	Finish	Voltage
LSMRHLED	1	Single Head	(blank) White
	2	Double Head	B Black
			3.6V For Use With 3.6V DC Power Source

¹ Wattage rating stated per head.