

Type: _____

Part : _____

otes: _____

HCYL-UPDN

Up/Down Cylinder Luminaire. Lumen & Kelvin Selectable

HOUSING: Premium powder-coat, aluminum, dark bronze housing.

ELECTRICAL:

- Operating temperature (ambient): -40°C to 45°C (-40°F to 113°F).
- Universal 120-277V AC voltage (50-60Hz) is standard.
- Field selectable output, with 3 levels for each model.
- 0-10VDC dimming drivers are standard.
- Internal switch allows a choice of up only, down only, or both up and down.
- Internal photocell is standard. Photocell can be enabled or disabled by switch.
- Surge protection = 4kV.
- Power factor > 0.90.
- Total Harmonic distortion < 20%.

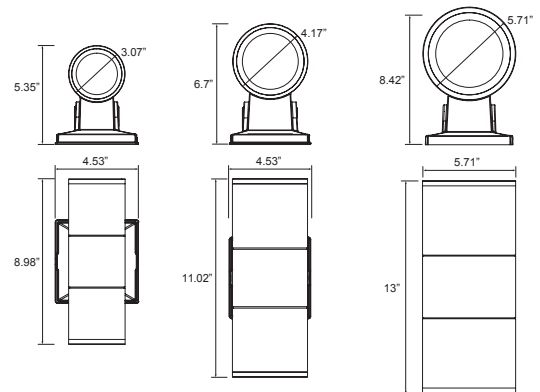
OPTICAL SYSTEM:

- High temperature resistant toughened glass lens.
- Field selectable 3000k(warm white), 4000k (neutral white) and 5000k (cool white) color temperatures*.
- HCYL-UPDN-976L-3CCT provides a range of 600 to 900 nominal lumens*.
- HCYL-UPDN-201712L-3CCT provides a range of 1,200 to 2,000 nominal lumens*.
- HCYL-UPDN-302722L-3CCT provides a range of 2,200 to 3,000 nominal lumens*.
- Long-life LEDs provide 140,000 hours of operation with at least 70% of initial lumen output (L70)**.
- Beam angle 35°.
- LED color maintenance < 0.00342 chromaticity shift ($\Delta u'v'$) over the initial 6,000 hours of operation.
- Color rendering index > 90.

* Default 4000k color temperature and highest lumen output.
 **L70 hours are IES TM-21-11 calculated hours.

MOUNTING:

- Wall mount kit
- Easy installation in new construction or retrofit applications.



Model #	L (in)	W (in)	H (in)	Ø(in)	Weight (lbs)
HCYL-UPDN-976L-3CCT	4.53	5.35	8.98	3.07	2.65
HCYL-UPDN-201712L-3CCT	4.53	6.7	11.02	4.17	4.13
HCYL-UPDN-302722L-3CCT	5.71	8.42	13	5.71	6.48

CODE COMPLIANCE:

- cULus listed for wet locations.
- Complies with FCC part 15, class B.
- IP65 rated for ingress protection.

WARRANTY: 5 year warranty on all electronics and housing.



ORDERING INFORMATION Example: HCYL-UPDN-302722L-3CCT

Series	Nominal Lumen Output (Selectable)		Kelvin Selectable
	HCYL-UPDN	976L	
201712L		2,000 / 1,700 / 1,200	
302722L		3,000 / 2,700 / 2,200	

LUMEN TABLES)

Series	Measurements	Low Lumens			Mid Lumens			High Lumens		
		HEEES	I EEEES	Í EEEES	HEEES	I EEEES	Í EEEES	HEEES	I EEEES	Í EEEES
PÖYŠĚ WÜÖPĚJĪ ŠĚHÔŮV	WWS { ^ } •	Í ĘG	Í ĪÍ	Í ĘE	Ī ĘĀ	Ī ĘĪ	Ī ĘĪ	Ī ĪH	Ī ĪI	Ī ĪI
	WV æc	Ī ĘĪ	Í ĘĪJ	Ī ĘĪ	Ī ĘĪG	Ī ĘĪJ	Ī ĘĪF	J ĘĪĪ	J ĘĪJ	J ĘĪH
	WV - æc	Ī H	J I	J Ī	Ī G	J I	J Ī	Ī F	J I	J Ī

Series	Measurements	Low Lumens			Mid Lumens			High Lumens		
		HEEES	I EEEES	Í EEEES	HEEES	I EEEES	Í EEEES	HEEES	I EEEES	Í EEEES
PÖYŠĚ WÜÖPĚJĪ FGŠĚHÔŮV	WWS { ^ } •	FFFĪ	FGĪ	FGĪ Ī	FĪ ĪĪ	FĪ ĪG	FĪ FĪ	FĪ HJ	FĪ J	FĪ JJ
	WV æc	FGĪ F	FGĪ I	FGĪ H	FĪ ĘĪG	FĪ ĘĪF	FĪ ĘĪI	G ĘĪĪ	FJ ĘĪJ	G ĘĪF
	WV - æc	JF	F ĘF	F ĘI	Ī Ī	F ĘE	F ĘG	Ī Ī	JJ	JJ

Series	Measurements	Low Lumens			Mid Lumens			High Lumens		
		HEEES	I EEEES	Í EEEES	HEEES	I EEEES	Í EEEES	HEEES	I EEEES	Í EEEES
PÖYŠĚ WÜÖPĚJĪ GŠĚHÔŮV	WWS { ^ } •	G ĘĪ	G ĘĪ G	G ĘĪ Ī	G Ī H	G Ī Ę	G ĘĪ	G ĘĪ H	G ĘĪ F	G ĘĪ J
	WV æc	G ĘĪ Ī	G ĘĪ Ī	G ĘĪ F	G ĘĪ Ī	G ĘĪ H	H ĘĪJ	H ĘĪ Ī	H ĘĪ H	H ĘĪ Ī
	WV - æc	Ī Ī	JG	J I	Ī G	J Ę	J Ę	Ī Ī	Ī Ī	Ī Ī

ELECTRICAL DATA

Series	CCT	Input Amps (A)								
		Low Lumens			Mid Lumens			High Lumens		
		120V	240V	277V	120V	240V	277V	120V	240V	277V
HCYL- UPDN-976L-3CCT	3000k	0.05	0.03	0.02	0.06	0.03	0.03	0.08	0.04	0.03
	4000k	0.05	0.02	0.02	0.06	0.03	0.03	0.08	0.04	0.03
	5000k	0.05	0.03	0.02	0.06	0.03	0.03	0.08	0.04	0.03

Series	CCT	Input Amps (A)								
		Low Lumens			Mid Lumens			High Lumens		
		120V	240V	277V	120V	240V	277V	120V	240V	277V
HCYL-UPDN-201712L-3CCT	3000k	0.10	0.05	0.04	0.14	0.07	0.06	0.17	0.08	0.07
	4000k	0.10	0.05	0.04	0.14	0.07	0.06	0.16	0.08	0.07
	5000k	0.10	0.05	0.04	0.14	0.07	0.06	0.17	0.08	0.07

Series	CCT	Input Amps (A)								
		Low Lumens			Mid Lumens			High Lumens		
		120V	240V	277V	120V	240V	277V	120V	240V	277V
HCYL-UPDN-302722L-3CCT	3000k	0.20	0.10	0.09	0.25	0.12	0.11	0.29	0.14	0.13
	4000k	0.20	0.10	0.08	0.25	0.12	0.11	0.29	0.14	0.12
	5000k	0.20	0.10	0.09	0.25	0.13	0.11	0.29	0.15	0.13

COMPATIBLE DIMMERS AND CONTROLS

Manufacturer	Model Number	Dimmer Range	Load Switching Capacity
Best Lighting	DWS-010V-T	10%-100%	600W
Best Lighting	DWS-010V-D	10%-100%	600W
Leviton	IP710-LFZ	10%-100%	1200W
Lutron	DVSTV	10%-100%	450W

PHOTOMETRICS

HCYL-UPDN-976L-3CCT

Luminaire Data

Description	Up Down Wall Cylinder Lumen and Kelvin Select
Total Lumens	864
Input Wattage	9
Efficacy (lm/W)	94
Max. Cd.	1034.1 (292.5H, 179V)
IES Classification	N.A.
Longitudinal Classification	N.A.

Photometrics calculated at 4000k and highest lumen setting.

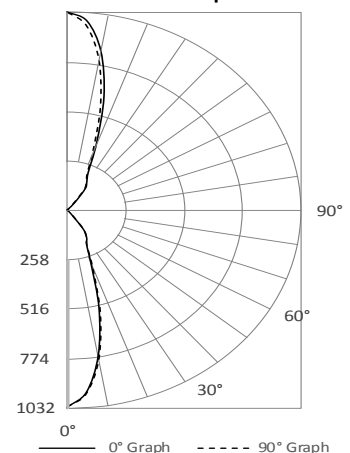
Luminaire Classification Systems (LCS)

LCS Zone	Lumens	%Lum
FL	0-30	166 19.2%
FM	30-60	40 4.7%
FH	60-80	1 0.1%
FVH	80-90	0 0.0%
BL	0-30	177 20.4%
BM	30-60	46 5.3%
BH	60-80	1 0.1%
BVH	80-90	0 0.0%
UL	90-100	0 0.1%
UH	100-180	432 50.1%
Total		864 100.0%

BUG Rating

B1-U3-G0

180° Polar Graph



PHOTOMETRICS Cont.

HCYL-UPDN-201712L-3CCT

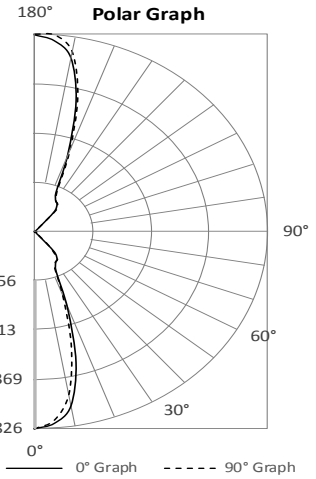
Luminaire Data

Description	Up Down Wall Cylinder Lumen and Kelvin Select
Total Lumens	1,959
Input Wattage	20
Efficacy (lm/W)	99
Max. Cd.	1843.6 (67.5H, 177V)
IES Classification	N.A.
Longitudinal Classification	N.A.

Photometrics calculated at 4000k and highest lumen setting.

Luminaire Classification Systems (LCS)

LCS Zone	Lumens	%Lum	
FL	0-30	353	18.0%
FM	30-60	133	6.8%
FH	60-80	13	0.6%
FVH	80-90	6	0.3%
BL	0-30	332	17.0%
BM	30-60	125	6.4%
BH	60-80	12	0.6%
BVH	80-90	6	0.3%
UL	90-100	12	0.6%
UH	100-180	967	49.4%
Total	1,959	100.0%	
BUG Rating	B1-U4-G0		



<7M@I D8B! \$+&&@' 77H

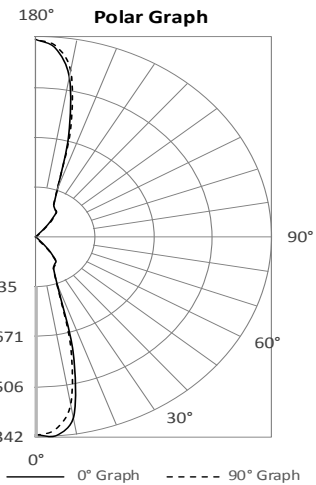
Luminaire Data

Description	Up Down Wall Cylinder Lumen and Kelvin Select
Total Lumens	2,912
Input Wattage	34
Efficacy (lm/W)	85
Max. Cd.	3358.3 (337.5H, 6V)
IES Classification	Type VS
Longitudinal Classification	Very Short

Photometrics calculated at 4000k and highest lumen setting.

Luminaire Classification Systems (LCS)

LCS Zone	Lumens	%Lum	
FL	0-30	553	19.0%
FM	30-60	180	6.2%
FH	60-80	4	0.1%
FVH	80-90	1	0.0%
BL	0-30	536	18.4%
BM	30-60	178	6.1%
BH	60-80	5	0.2%
BVH	80-90	1	0.0%
UL	90-100	1	0.0%
UH	100-180	1,454	49.9%
Total	2,912	100.0%	
BUG Rating	B2-U5-G0		



DIP switch for Wattage & Light option

Factory default setting :
Wattage: High Power Light option: FULL



DIP switch for CCT and Photocell

Factory default setting:
CCT: 4000K
Photocell: OFF

