

HIPST

Foldable & Compact Design Post Top Fixture

Detail Specifications:

- Finish: Bronze, Custom finishes available
- IP Rating: IP65 Wet Location
- Beam Angle: Type 5 Standard
- Chip: SMD 2835, R9 >50, CRI >80
- Operating Temperature: -4° - 124° F
- Lens: Clear Ribbed
- Average life (L70) of 70,000 hours
- EPA:
 - 75W: 1.5
 - 150W: 1.9

Applications:

- Walkways & Pathways
- Parking Lots
- Outdoor Corridor
- Commercial Lighting

Product Information:

- Sturdy die-cast aluminum housing finished with corrosion free powder coat
- Full Cut-Off Dark Sky Compliant
- Compact design for easier installation and shipping
- Instant-On to full brightness
- Select-n-Switch Technology: 3-CCT + 3-Power Selectable

Driver Options:

- UNV: 120-277V 0-10V Dimmable
- HV: 277-480V 0-10V Dimmable
- THD: <20% (+/-5% tolerance), PF >0.9, 50/60Hz

Mounting & Installation:

Mounts onto 2-3/8-3" tenon

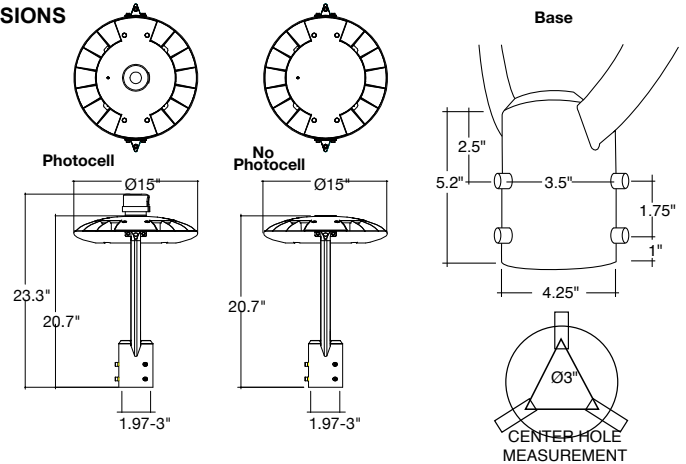
Certifications:

- UL Listed for USA and CA
- DLC Premium Listed
- ROHS Compliant
- Approved for CA T24
- 5 Year Limited Warranty
- FCC CFR 47, GCC Part 15, Subpart B:2017



WATT	LUMENS
35	4,700
50	7,400
75	10,200
100	13,900
125	17,400
150	20,400

DIMENSIONS



Series

HIPST -3P75-TRI

35/50/70W

HIPST -3P150-TRI

100/125/150W

Finish¹

BZ

Bronze

(Standard) BL¹

Black

WH¹

White

GRY¹

Gray

CS¹

Custom Color

1. Standard quickship is bronze. Other colors are custom finishes

Voltage²

UNV

120-277V

HV

277-480V

2. Standard quickship is UNV. HV is made to order locally

Photocell

(Blank)

No

Photocell

PC

Photocell

Sensor

(Blank)

No Sensor

BMS

Microwave

Bi-Level

Motion

+ Daylight

Sensor

EMB

(Blank)

No Emergency

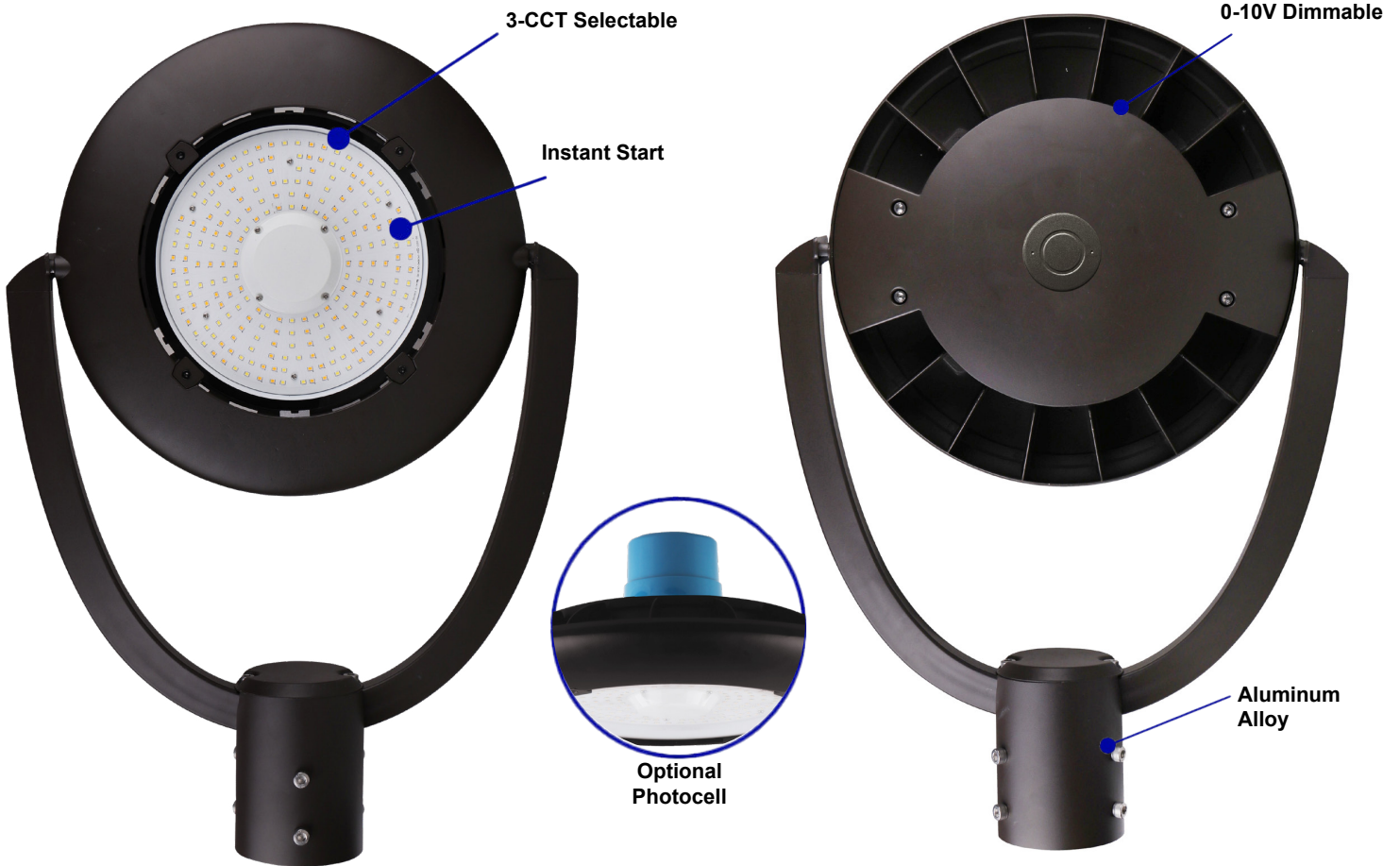
EMB

90 minute

emergency

backup

FEATURES



ACCESSORIES



3 Pin Photocell
347-480V
PC-TWL-HV



3 Pin Photocell
120-277V
PC-TWL-UNV



3 Pin Receptacle
PC-TWL-RC



PC Short Cap
PC-SHORT-CAP

Model	Voltage	Watts	Lumen	Color	CRI
HIPST-3P75W-TRI-BZ-UNV120-277V		35/50/75w	4,700/7,400/10,200	30/40/50k	>80
HIPST-3P150-TRI-BZ-UNV20-277V		100/125/150w	13,900/17,400/20,400	30/40/50k	>80

Accessory Model	Description
PC-TWL-HV	LC4535INT 3PIN Locking Type Thermal Photo Control 480V Intermatic
PC-TWL-UNV	JL207C 3PIN Locking Type Thermal Photo Control 120-277V Intermatic
PC-TWL-RC	Twist Lock photocell receptacle
PC-SHORT-CAP	3 Pin Shorting Cap