

# HPT421

## UFO POST TOP LIGHT

30W / 50W / 60W / 80W / 100W / 150W

### Specifications

<b>Wattage</b>	30W / 50W / 60W / 80W / 100W / 150W / Power Tunable
<b>LED Chips</b>	SMD 2835, Samsung or Other LED Chips
<b>Driver Brand</b>	Meanwell / SOSEN/ ZHIHE or Other Brand
<b>Material</b>	Aluminum alloy+PC lens
<b>Color Temp</b>	3000K( Warm white) / 4000K (Natural white) / 5000K(Daylight)/ 3CCT Switch
<b>Lumen</b>	130-140LM/W (Higher LM/W can be provided)
<b>AC Input Voltage</b>	AC120-277V/AC120-347V/AC180-480V Available
<b>Mounting Methods</b>	3" Round Pole (Normal); 2 3/8" Adapter (Available)
<b>Exclusive Feature (1)</b>	Motion Sensor/ Photocell Sensor/WIFI Camera Optional
<b>Exclusive Feature (2)</b>	3CCT/Power Switch Available
<b>Exclusive Feature (3)</b>	Bracket turnable to save package volume
<b>Ambient Temperature</b>	-40°C to +45°C(-40°F to +113°F)
<b>Total Harmonic Distortion (THD)</b>	< 15%
<b>Housing</b>	Bronze/Black or other customs color
<b>Lifetime</b>	50,000H
<b>Warranty</b>	5 years



### Features



CCT Select



Power Select

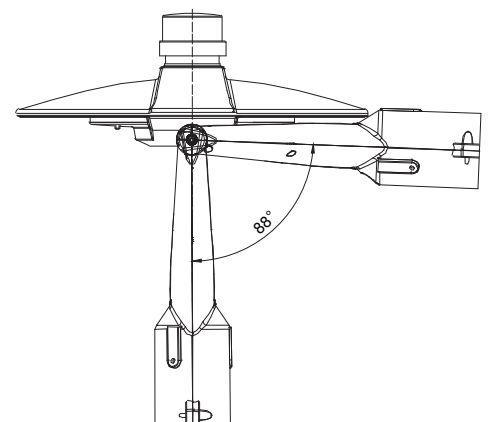
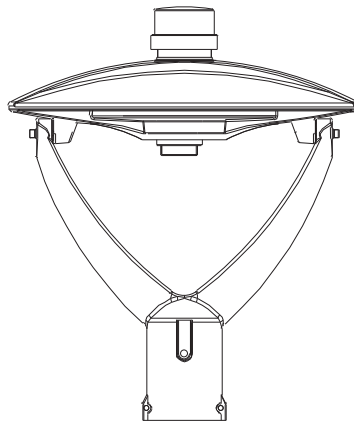


Motion sensor



Photocell sensor

### Exclusive Feature (Bracket Tunable)



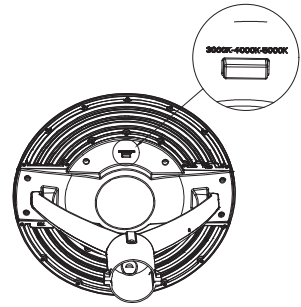
## Bracket turnable to save size/package volume



## Extra Functions Available



## CCT & Power Selectable



## Applications



Parking Area



Walkway



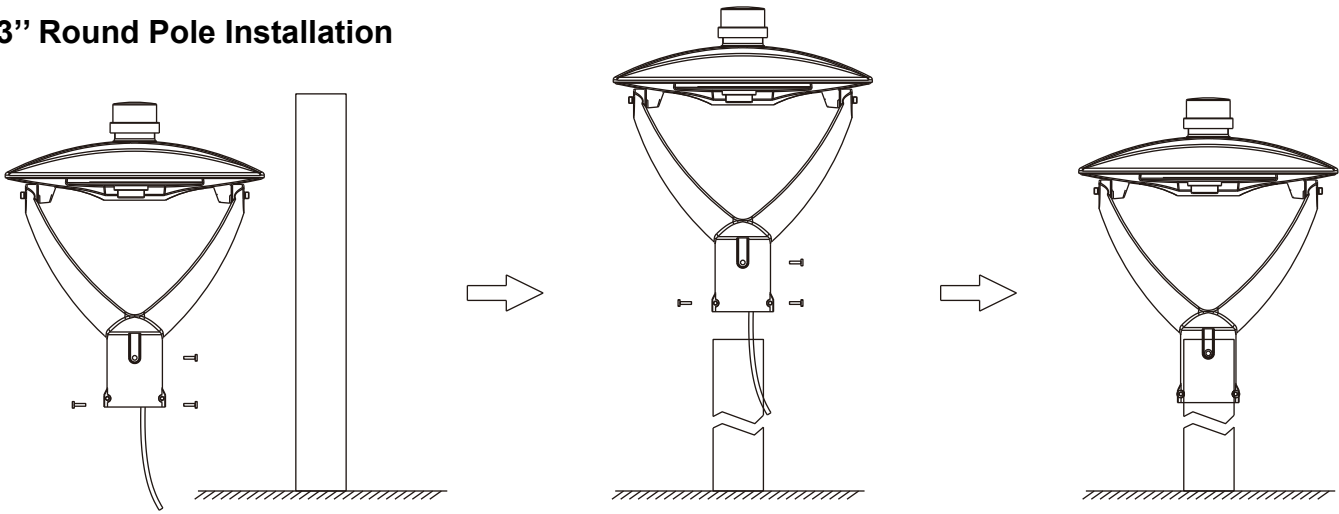
Community



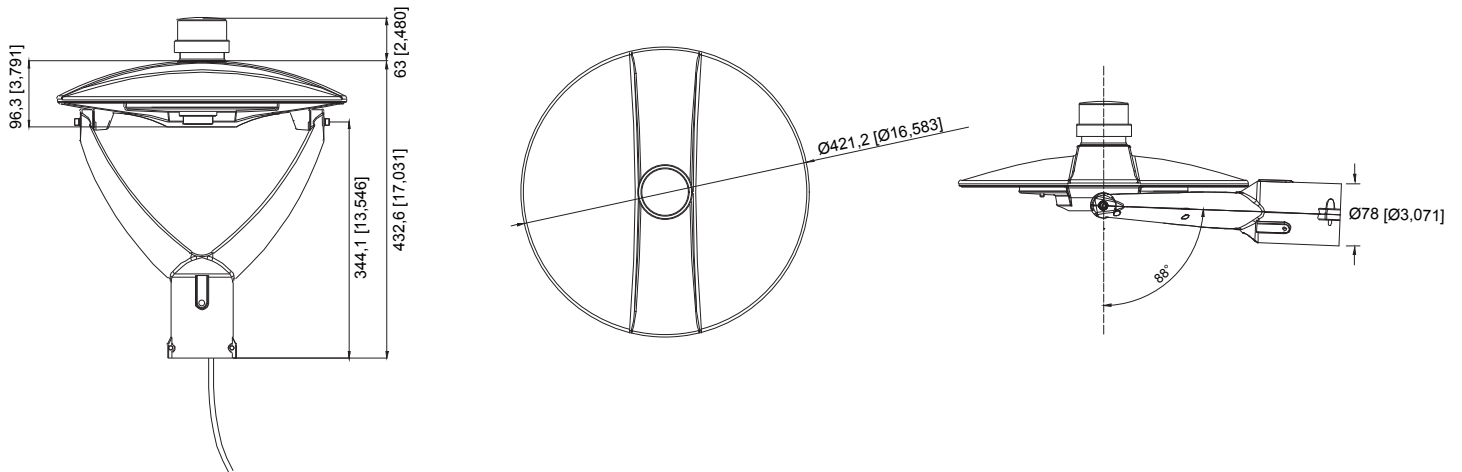
Plaza

## Installation

### 3" Round Pole Installation

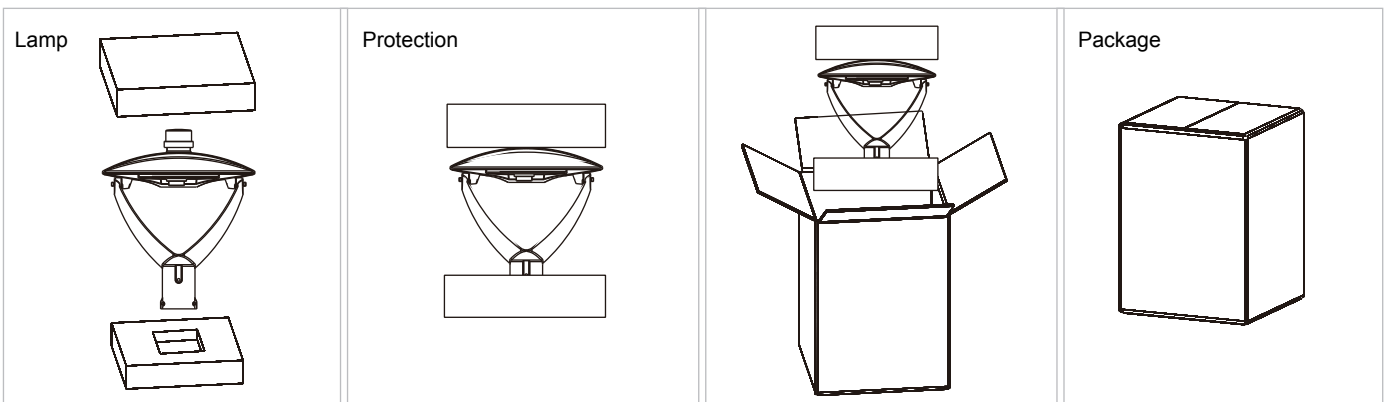


## Dimensions



## Packaging information

### Square Carton



Job Name: \_\_\_\_\_

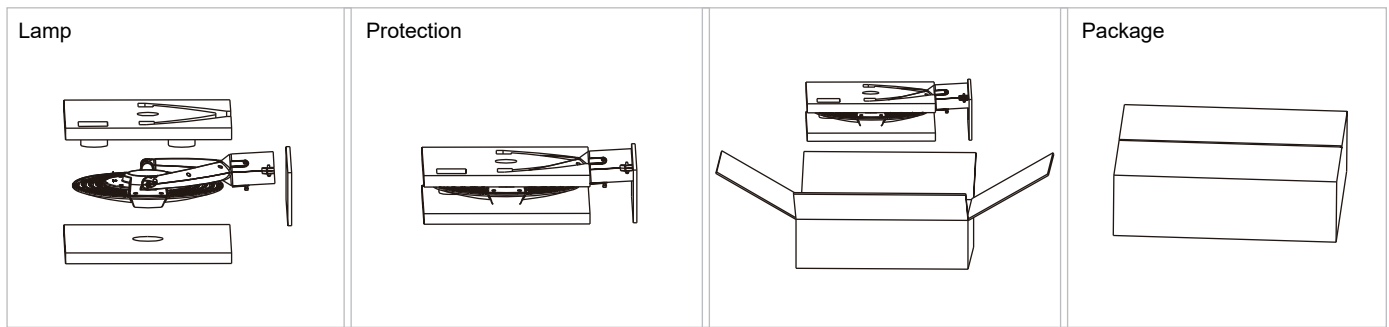
Type: \_\_\_\_\_

Part #: \_\_\_\_\_

Notes: \_\_\_\_\_

Wattage	Product Size(mm/in)	Package Size(mm/in)	N.W (Kg/lb)	G.W (Kg/lb)	QTY
30W	457 x 457 x 444 mm 17.99 x 17.99 x 17.48 in	485 x 485 x 585 mm 19.09 x 19.09 x 23.03 in	7Kg(15.43lb)	8.5 Kg(18.74lb)	1 PCS
50W	457 x 457 x 444 mm 17.99 x 17.99 x 17.48 in	485 x 485 x 585 mm 19.09 x 19.09 x 23.03 in	7Kg(15.43lb)	8.5 Kg(18.74lb)	1 PCS
60W	457 x 457 x 444 mm 17.99 x 17.99 x 17.48 in	485 x 485 x 585 mm 19.09 x 19.09 x 23.03 in	7Kg(15.43lb)	8.5 Kg(18.74lb)	1 PCS
80W	457 x 457 x 444 mm 17.99 x 17.99 x 17.48 in	485 x 485 x 585 mm 19.09 x 19.09 x 23.03 in	7Kg(15.43lb)	8.5 Kg(18.74lb)	1 PCS
100W	457 x 457 x 444 mm 17.99 x 17.99 x 17.48 in	485 x 485 x 585 mm 19.09 x 19.09 x 23.03 in	7Kg(15.43lb)	8.5 Kg(18.74lb)	1 PCS
150W	457 x 457 x 444 mm 17.99 x 17.99 x 17.48 in	485 x 485 x 585 mm 19.09 x 19.09 x 23.03 in	7Kg(15.43lb)	8.5 Kg(18.74lb)	1 PCS

### Flat Carton



Wattage	Product Size(mm/in)	Package Size(mm/in)	N.W (Kg/lb)	G.W (Kg/lb)	QTY
30W	421 x 421 x 433mm 16.58 x 16.58 x 17.05 in	615 x 475 x 160mm 24.21 x 18.70 x 6.30 in	6.30Kg(13.89lb)	7.30kg(16.10lb)	1 PCS
50W	421 x 421 x 433mm 16.58 x 16.58 x 17.05 in	615 x 475 x 160mm 24.21 x 18.70 x 6.30 in	6.30Kg(13.89lb)	7.30kg(16.10lb)	1 PCS
60W	421 x 421 x 433mm 16.58 x 16.58 x 17.05 in	615 x 475 x 160mm 24.21 x 18.70 x 6.30 in	6.30Kg(13.89lb)	7.30kg(16.10lb)	1 PCS
80W	421 x 421 x 433mm 16.58 x 16.58 x 17.05 in	615 x 475 x 160mm 24.21 x 18.70 x 6.30 in	6.70Kg(14.77lb)	7.70kg(17.00lb)	1 PCS
100W	421 x 421 x 433mm 16.58 x 16.58 x 17.05 in	615 x 475 x 160mm 24.21 x 18.70 x 6.30 in	6.70Kg(14.77lb)	7.70kg(17.00lb)	1 PCS
150W	421 x 421 x 433mm 16.58 x 16.58 x 17.05 in	615 x 475 x 160mm 24.21 x 18.70 x 6.30 in	6.70Kg(14.77lb)	7.70kg(17.00lb)	1 PCS