

# HRSS

## Round Steel Pole

### Sizes:

- 4" Diameter
- 11 Gauge
- Height: 6 Standard Sizes- 10'-20'. Custom Lengths Available

### Finishes:

- Dark Bronze (DBZ) Standard.
- Other Finishes by Special Order: Black (BLK), White (WH) and Gray (GRY)

### Pole Top:

- 10'/12'/16'/18': Side Mount Drill (SMD) – Customer supplies pattern. Lumencia will include a Removable Pole Cap.
- 15'/20': Include a pre-drilled pattern at 180°

**Tenon Mount (TNM):** Customer will select Tenon (standard is 2-3/8"D x 4"H)

**Hand Hole:** Hand Hole cover with 2 screws is provided. A ground lug with set screw is located near the hand hole opening for proper grounding of the pole. *See individual product description for hand hole location and notes.*

### Anchor Bolts:

- 4 galvanized steel anchor bolts is provided with each pole assembly. Each anchor bolt includes 2 nuts and 2 washers Standard.
- Top portion of the anchor bolt is threaded for securing and leveling the pole with the provided nuts and washers.
- An actual size paper anchor bolt template is provided.

### Base Cover:

- 10'/12'/16'/18' Include: Two-piece steel square base cover. Stainless steel screws are included to attach the 2 pieces together after pole installation.
- 15'/20' Include: Two-piece ABS Cover. Plastic rivets are included to attach the 2 pieces together after pole installation.

**Foundation design:** Foundation should be designed by an engineer familiar with local soil and wind conditions as well as local code where the pole(s) will be installed. *See EPA Calculations Under Individual Poles*

**Warranty:** 1 Year

**Disclaimer:** All dimensions and specifications are subject to change without any notice.

Lumencia is not responsible for any claims arising from improper loading (what is attached to the light pole), improper use, incorrect foundation design and/or installation.

**See Individual Pole Notes for Dimensions, Hand Hole Notes, Bolt Circle Templates, and EPA Notes.**



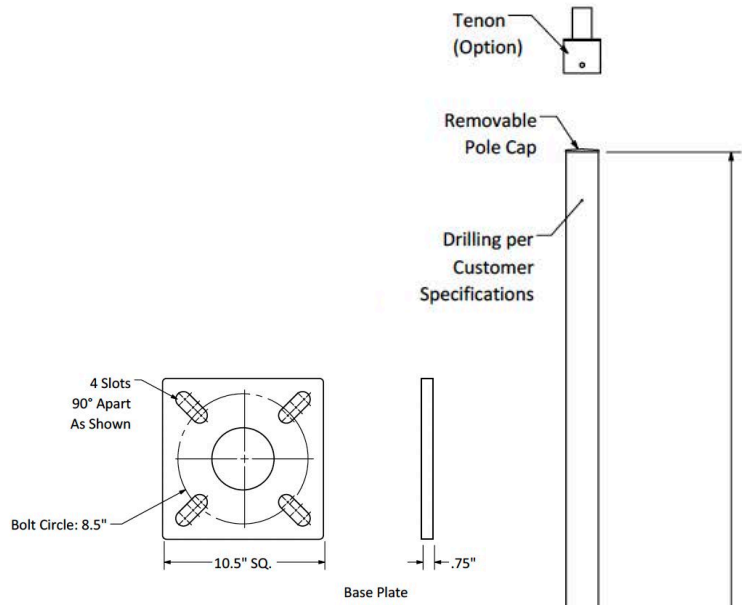
Part (Diameter/Height/Gauge)	Finish	Pole Top	Custom Length
HRSS-4-10-11G (4"R/10'H/11Gauge) HRSS-4-12-11G (4"R/12'H/11Gauge) HRSS-4-15-11G (4"R/15'H/11Gauge) HRSS-4-16-11G (4"R/16'H/11Gauge) HRSS-4-18-11G (4"R/18'H/11Gauge) HRSS-4-20-11G (4"R/20'H/11Gauge)	DBZ BLK* WH* GRY*	TNM: 2-3/8"D x 4"H Tenon included.  SMD: Side Mount Drill - Customer supplies Pattern.  <small>Pole Top Accessories are            ordered separately and are            available on page</small>	CL-XX  <i>If custom length is            desired, list it here</i>

**HRSS-4-10-11G**

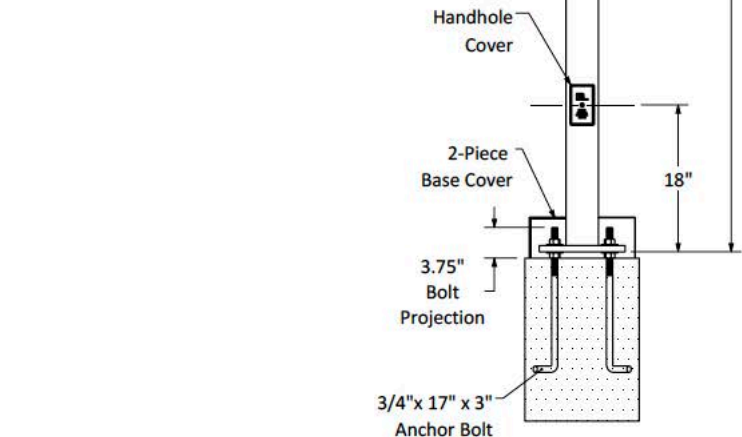
**Pole Shaft and Height:** 4 inch Round weldable-grade, cold-rolled, commercial quality carbon steel tubing conforming to ASTM A500 Grade B 11 gauge. Pole height is 10 ft.

**Handhole:** Reinforced, 3" x 5" Handhole with cover, stainless steel screw and backbar is located at 18 inches from the base. Ground lug is included.

**Bolt Circle:** 8.5" (Bolt circle range: 8"-11")



Maximum EPA with 1.3 Gust Factor (ft <sup>2</sup> )						Pole Weight (lbs)
90 mph	100 mph	110 mph	120 mph	130 mph	140 mph	
16.7	13.2	12.2	10.0	8.3	7.0	74

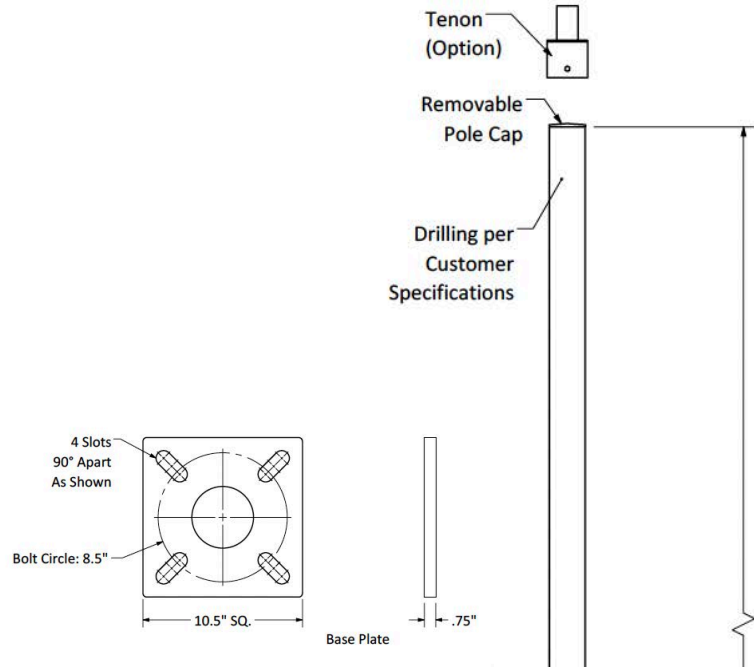


**HRSS-4-12-11G**

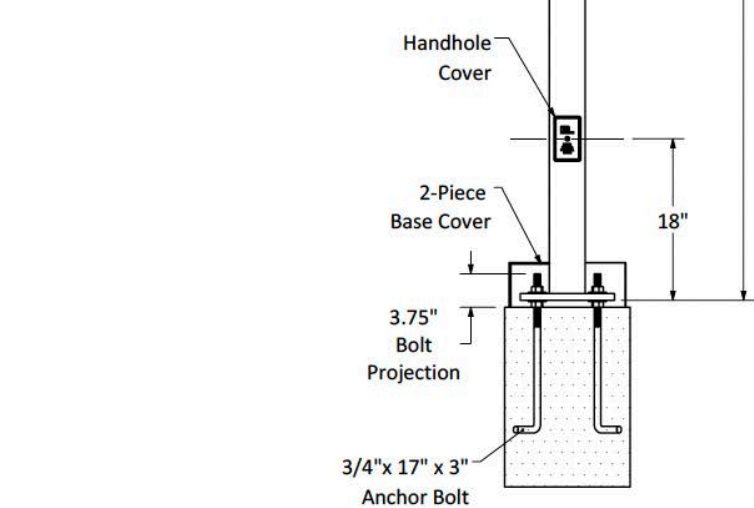
**Pole Shaft and Height:** 4 inch Round weldable-grade, cold-rolled, commercial quality carbon steel tubing conforming to ASTM A500 Grade B 11 gauge. Pole height is 12 ft.

**Handhole:** Reinforced, 3" x 5" Handhole with cover, stainless steel screw and backbar is located at 18 inches from the base. Ground lug is included.

**Bolt Circle:** 8.5" (Bolt circle range: 8"-11")



Maximum EPA with 1.3 Gust Factor (ft <sup>2</sup> )						Pole Weight (lbs)
90 mph	100 mph	110 mph	120 mph	130 mph	140 mph	
13.2	10.3	9.5	7.7	6.3	5.2	84

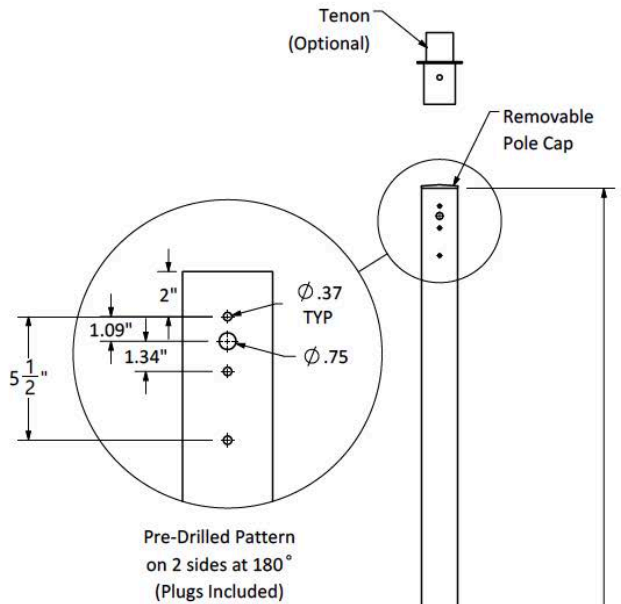


**HRSS-4-15-11G**

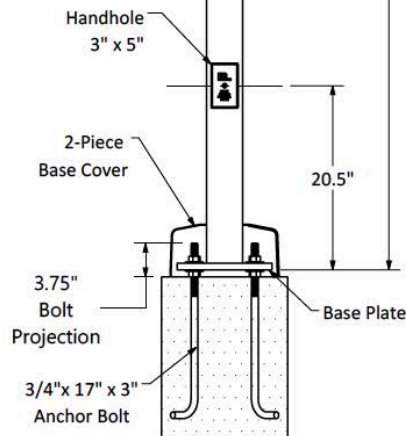
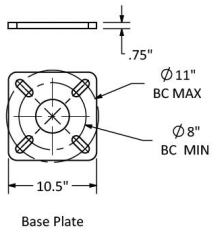
**Pole Shaft and Height:** 4 inch Round weldable-grade, cold-rolled, commercial quality carbon steel tubing conforming to ASTM A500 Grade B 11 gauge. Pole height is 15 ft.

**Handhole:** Reinforced, 3" x 5" Handhole with cover, stainless steel screw and backbar is located at 20.5 inches from the base. Ground lug is included.

**Bolt Circle:** Bolt circle range: 8"-11".



POLE WIND RATING (EPA) with 1.3 Gust Factor (Square Feet)						Pole Weight (lbs)
90 mph	100 mph	110 mph	120mph	130 mph	140 mph	
8.8	6.6	6.0	4.6	3.5	2.8	94

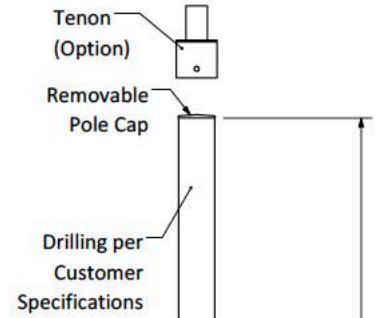


**HRSS-4-16-11G**

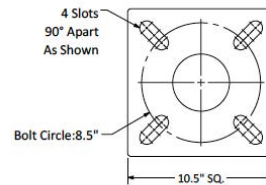
**Pole Shaft and Height:** 4 inch Round weldable-grade, cold-rolled, commercial quality carbon steel tubing conforming to ASTM A500 Grade B 11 gauge. Pole height is 16 ft.

**Handhole:** Reinforced, 3" x 5" Handhole with cover, stainless steel screw and backbar is located at 18 inches from the base. Ground lug is included.

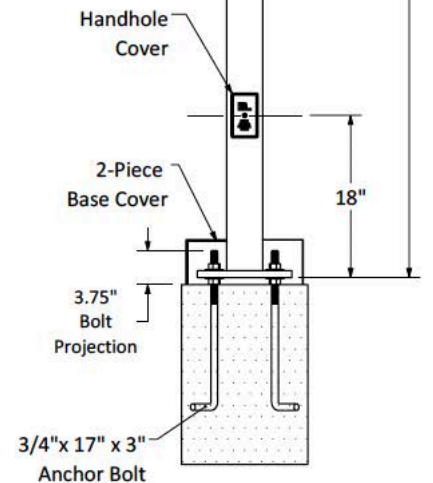
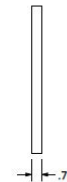
**Bolt Circle:** 8.5" (Bolt circle range: 8"-11").



Maximum EPA with 1.3 Gust Factor (ft <sup>2</sup> )						Pole Weight (lbs)
90 mph	100 mph	110 mph	120 mph	130 mph	140 mph	
8.8	6.6	6.0	4.6	3.5	2.8	104



Base Plate

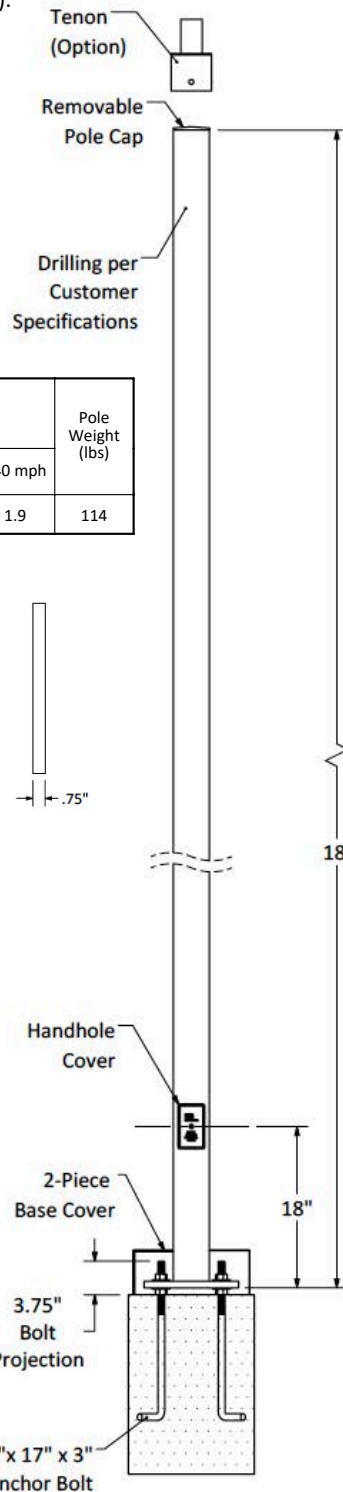


**HRSS-4-18-11G**

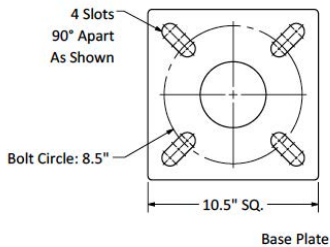
**Pole Shaft and Height:** 4 inch Round weldable-grade, cold-rolled, commercial quality carbon steel tubing conforming to ASTM A500 Grade B 11 gauge. Pole height is 18 ft.

**Handhole:** Reinforced, 3" x 5" Handhole with cover, stainless steel screw and backbar is located at 18 inches from the base. Ground lug is included.

**Bolt Circle:** 8.5" (Bolt circle range: 8"-11").



Maximum EPA with 1.3 Gust Factor (ft²)						Pole Weight (lbs)
90 mph	100 mph	110 mph	120 mph	130 mph	140 mph	
7.1	5.2	4.6	3.4	2.5	1.9	114

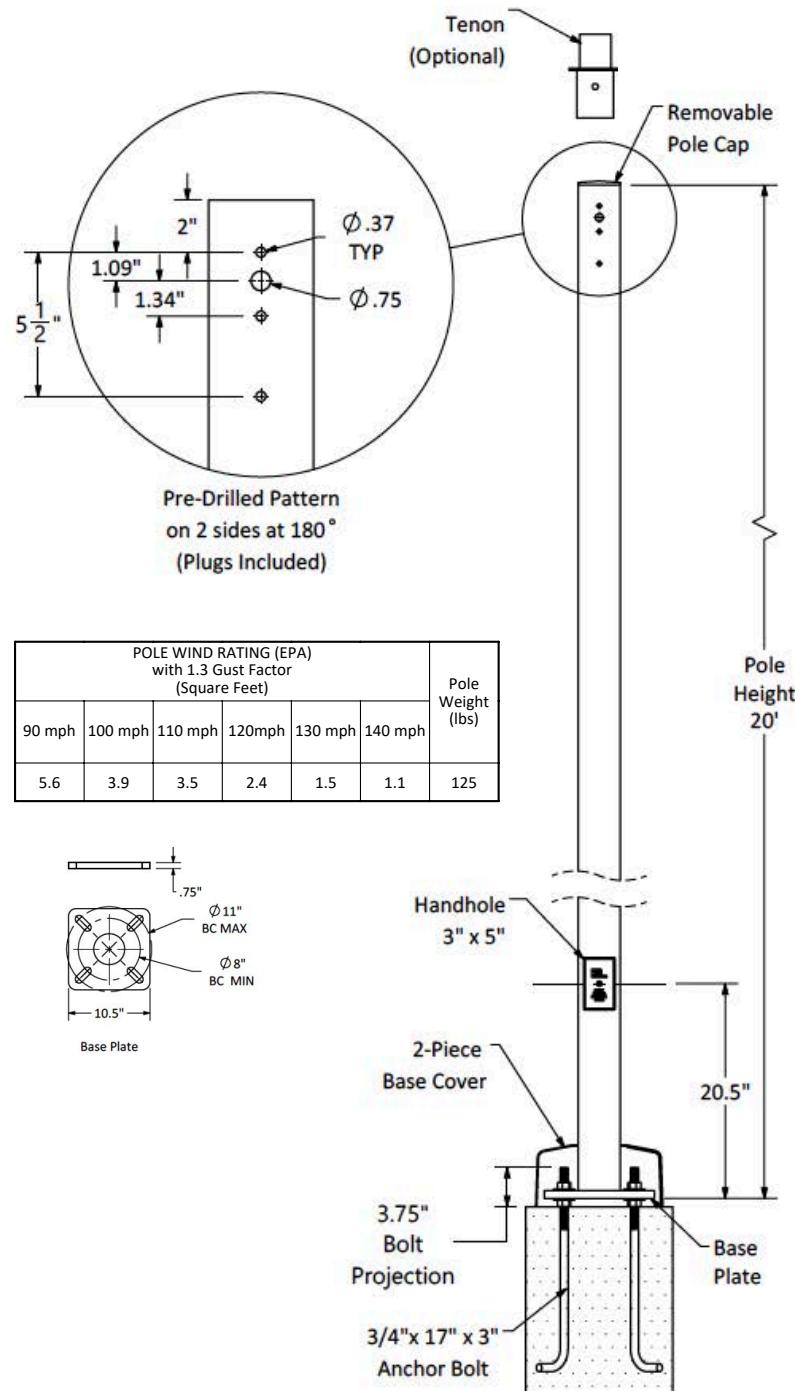


**HRSS-4-20-11G**

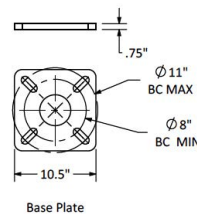
**Pole Shaft and Height:** 4 inch Round weldable-grade, cold-rolled, commercial quality carbon steel tubing conforming to ASTM A500 Grade B 11 gauge. Pole height is 20 ft.

**Handhole:** Reinforced, 3" x 5" Handhole with cover, stainless steel screw and backbar is located at 20.5 inches from the base. Ground lug is included.

**Bolt Circle:** 8.5 inches (Bolt Circle Range: 8"-11")



POLE WIND RATING (EPA) with 1.3 Gust Factor (Square Feet)						Pole Weight (lbs)
90 mph	100 mph	110 mph	120 mph	130 mph	140 mph	
5.6	3.9	3.5	2.4	1.5	1.1	125





# Steel Pole Accessories

## Standard Bullhorns:



HSBH-2-180 Steel Bullhorn  
with 2 Arms at 180°



HSBH-3-120 Steel Bullhorn with  
3 Arms at 120°



HSBH-4-90 Steel Bullhorn with  
4 Arms at 90°

## Low Profile Bullhorns:



HPSBH-2-180 Low Profile Bullhorn  
with 2 Tenons



HPSBH-3-120  
Low Profile Bullhorn with 3 Tenons  
at 120°



HPSBH-4-90  
Low Profile Bullhorn with 4  
Tenons at 90°

## Spoke Brackets:



HSPKB-2-180 Spoke Bracket  
with 2 Arms at 180°



HSPKB-3-120 Spoke Bracket  
with 3 Arms at 120°



HSPKB-4-90 Spoke Bracket with  
4 Arms at 90°

## Ask about Other Pole Top Accessories

### Ordering Information

Part#	Finish
HSBH-2-180	Steel Bullhorn with 2 Arms at 180°
HSBH-3-120	Steel Bullhorn with 3 Arms at 120°
HSBH-4-90	Steel Bullhorn with 4 Arms at 90°
HPSBH-2-180	Low Profile Bullhorn with 2 Tenons
HPSBH-3-120	Low Profile Bullhorn with 3 Tenons at 120°
HPSBH-4-90	Low Profile Bullhorn with 4 Tenons at 90°
HSPKB-2-180	Spoke Bracket with 2 Arms at 180°
HSPKB-3-120	Spoke Bracket with 3 Arms at 120°
HSPKB-4-90	Spoke Bracket with 4 Arms at 90°
	DBZ
	BLK*
	WH*
	GRY*