

# HSOL SERIES

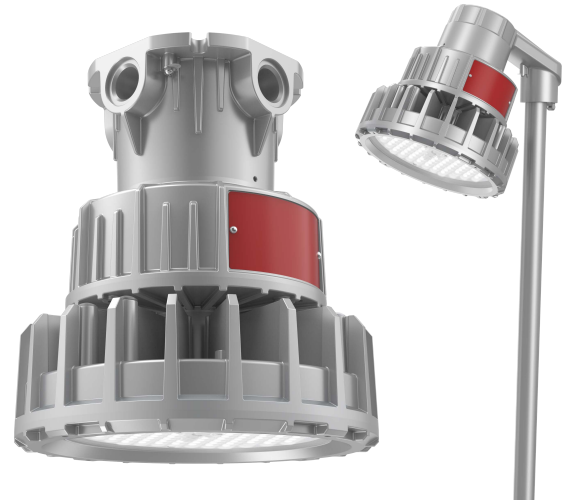
## Explosion Proof Area Light / Low-High Bay

### KEY FEATURES:

- Available in 30W, 40W, 50W, 60W, 70W; efficiency up to 140lm/w, lumen packages from 4200lm to 9800lm.
- IP66 and IK10 double protection, with super reliability
- Input Voltage: AC120-277V, AC277-480V (50/60Hz)
- 1-10V dimmable and DALI control optional.
- Pendant, Ceiling, Wall, Trunnion, 25° Stanchion
- Warm White-Cool White options 2000K - 6500K
- Colored LED available: **R/G/B/AMBER** options
- Wildlife Friendly for coastal areas.
- Standard 120° Optic
- The max operating ambient temperature range: -40°C to 65°C (-40°F to +149°F).
- **Quick connection design, the installation wiring module is connected with the fixture thread, more convenient and faster installation and wiring.**
- Equipped with low copper aluminum alloy body and special powder coating, as well as stainless steel components with special anti-corrosion treatment.
- Well-organized terminal block, the ceiling mounting, bracket mounting and wall mounting are equipped with four conduit holes.
- LED chips are separated from the driver cavity, ensures good heat dissipation and longer service life.
- Optional stainless steel guard

### APPLICATIONS:

- Chemical
- Oil, gas and petrochemical
- Pulp and paper
- Foundries
- Manufacturing
- Waste and sewage treatment
- Power generation
- Paint spray booths



### CERTIFICATIONS AND LISTINGS UL:

- Class I, Division 1, Groups B, C, D
- Class I, Division 2, Groups A, B, C, D
- Class II, Division 1, Groups E, F, G
- Class II, Division 2, Groups F, G
- Class III
- NEMA 4X
- UL 1598 - Wet Locations
- UL 1598A - Marine
- UL 8750 - LED Safety
- UL 844 - Hazardous Locations CSA Standard
- CSA C22.2 No. 137
- CSA C22.2 No. 250.0



### Mounting Options



Pendant mount



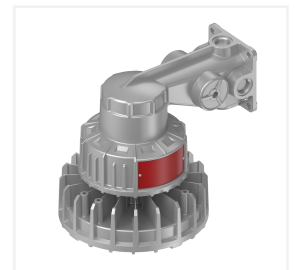
Ceiling mount



25° Stanchion mount



Trunnion mount



Wall mount



Five wattages  
30-70W

Lumen package  
4200-9800LM

HID/MH equivalent  
Up to 90-240W

Efficiency up to  
140LM/W

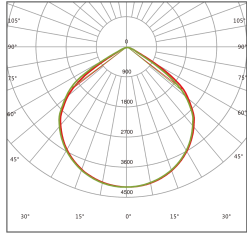
Cold and warm white  
2000-6500K  
R/G/B/Amber

Voltage  
100-277 or 277-480Vac



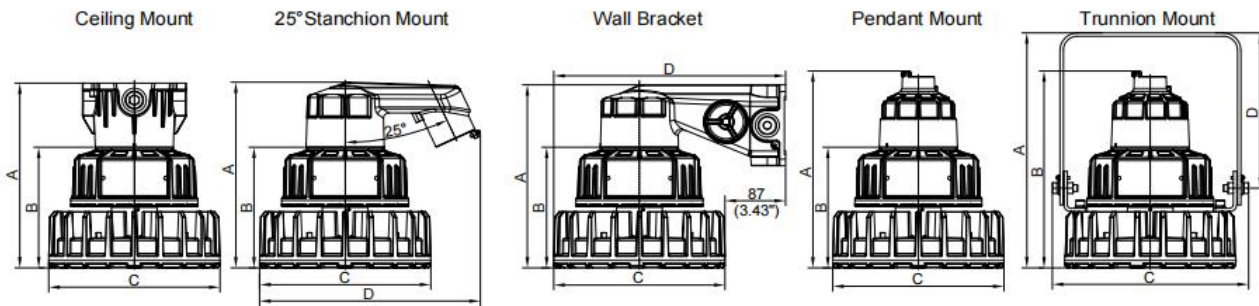
- 1 Pendant, ceiling, wall, 25° stanchion, and trunnion mounting options
- 2 Ceiling mount and wall bracket are equipped with multiple conduit holes(cable entry holes), which can realize the interconnection of fixtures, greatly facilitates on-site installation and wiring.
- 3 Quick connection design, the installation wiring module is connected with the fixture thread, more convenient and faster installation.
- 4 Separate volumes for the led module and the driver bring optimal thermal management.
- 5 Optional stainless steel wire guard.

## PHOTOMETRICS



120°

## DIMENSIONS



Dimensions In/mm																		
Unit	Ceiling Mount			25° Stanchion Mount				Wall Bracket				Pendant Mount			Trunnion Mount			
	A	B	C	A	B	C	D	A	B	C	D	A	B	C	A	B	C	D
Inch	10.8	7.0	9.8	10.8	7.0	9.8	12.6	10.7	7.0	9.8	13.2	11.5	7.0	9.8	13.7	11.5	11.2	9.1
mm	274	179	248	275	179	248	320	271	179	248	336	292	179	248	348	292	284	230

## LUMEN OUTPUT CHART

### ORDERING INFORMATION

Series	Wattage	Voltage	CCT	Optical Lens	CRI	Accessories	Mounting	Warranty
HSOL	3 = 30W 4 = 40W 5 = 50W 6 = 60W 7 = 70W	LV = 120-277V HV = 277-480V	S = 3000K I = 4000K C = 5000K R = RED G = GREEN B = BLUE A = AMBER	120 = 120°	7 = 70 CRI 8 = 80CRI 9 = 90CRI	NPT = 3/4"NPT WG1 = Wire Guard	TR = Trunnion Mount CM = Ceiling Mount PM = Pendant Mount WM = Wall Mount 25S = 25° Stanchion	5Y = 5 Year (STD) 10Y = 10 Year



Model Name:

Type:

Part No.:

Notes:

### LUMEN OUTPUT CHART

Model No	HSOL-3	HSOL-4	HSOL-5	HSOL-6	HSOL-7
Power Consumption(±5%)	30W	40W	50W	60W	70W
Input Voltage	100-277Vac / 277-480Vac, 50 / 60 Hz				
Luminous Flux (±10%)	4200lm	5600lm	7000lm	8400lm	9800lm
Efficacy (5000K Ra70)	140LM/W				
CCT & CRI	5000K (2000K,2200K,2500K,2700K,3000K,3500K,4000K ,4500K,5700K,6500Koptional)/Red,Green,Blue,Amber Ra70/Ra80/Ra90				
Beam Angle	120°				
Product Dimension	Ceiling mount: Φ248x274mm (Dia.9.8" x10.8"), 25° Stanchion mount: 320 x248x275mm (12.6"x9.8"x10.8") Wall bracket: 336x248x271mm (13.2"x9.8"x10.7") Pendant mount: Φ248x292mm (Dia.9.8" x11.5") Trunnion mount: 284x248x348mm (11.2"x9.8"x13.7")				
Luminaire Net Weight (±0.3kg/±0.66Lbs)	Ceiling mount: 8.3kg(18.26Lbs) 25° Stanchion mount: 7.9kg(17.38Lbs) Wall bracket: 9kg(19.8Lbs), Pendant mount: 7.3kg(16.06Lbs) Trunnion mount: 9kg(19.8Lbs)				
Power Factor	>0.90				
Operating Temperature	-40°C to + 65°C (-40°F to +149°F)				
Protection Rating	IP66,IK10				
Warranty	5 Years				

Item	Product Model	Input Voltage	Rated Power	Tamb	T-Code	
					CID1 GRP.B,C,D C1D2 GRP.A,B,C,D	CII. GRP.E,F,G CIII
1	HSOL-3	100-277Vac 277-480Vac	30W	-40°C to + 65°C	T6	T5
2	HSOL-4	100-277Vac	40W	-40°C to + 65°C	T6	T5
3	HSOL-5	100-277Vac	50W	-40°C to + 65°C	T6	T5
4	HSOL-6	100-277Vac 277-480Vac	60W	-40°C to + 65°C -40°C to + 60°C	T5 T6	T5
5	HSOL-7	100-277Vac	70W	-40°C to + 65°C -40°C to + 60°C	T5 T6	T5