

Job Name: _____
 Type: _____
 Part #: _____
 Notes: _____

HSSS

Square Steel Pole

Sizes:

- 4", 5", and 6" Diameter
- 07 and 11 Gauge
- Height: 9 Standard Sizes- 10'-39'. Custom Lengths Available

Finishes:

- Dark Bronze (DBZ) Standard.
- Other Finishes by Special Order: Black (BLK), White (WH) and Gray (GRY)

Pole Top:

- Side Mount Drill (SMD) – Customer supplies pattern. Lumencia will include a Removable Pole Cap.
- Tenon Mount (TNM) Customer will select Tenon (standard is 2-3/8"D x 4"H)

Hand Hole: Hand Hole cover with 2 screws is provided. A ground lug with set screw is located near the hand hole opening for proper grounding of the pole. See *individual product description for hand hole location and notes.*

Anchor Bolts:

- 4 galvanized steel anchor bolts is provided with each pole assembly. Each anchor bolt includes 2 nuts and 2 washers Standard.
- Top portion of the anchor bolt is threaded for securing and leveling the pole with the provided nuts and washers.
- An actual size paper anchor bolt template is provided.

Base Cover:

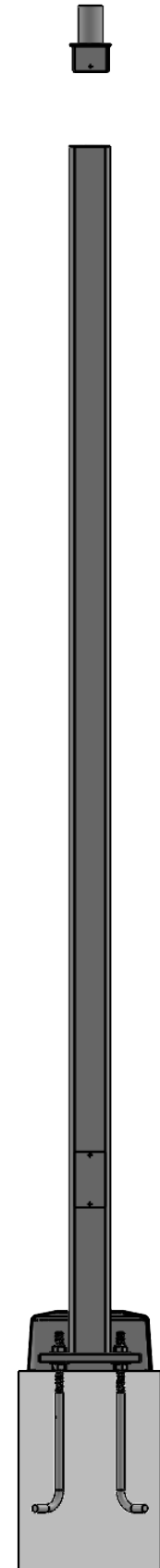
- 10'/15'/20'/25'(11G) & 25'/30'(7G) Include: Two-piece ABS plastic base cover
- 5"& 6" 35' & 6" 39' (7G) Include: Two-piece steel square base cover and Stainless steel screws

Foundation design: Foundation should be designed by an engineer familiar with local soil and wind conditions as well as local code where the pole(s) will be installed. See *EPA Calculations Under Individual Poles*

Warranty: 1 Year

Disclaimer: All dimensions and specifications are subject to change without any notice. Lumencia is not responsible for any claims arising from improper loading (what is attached to the light pole), improper use, incorrect foundation design and/or installation.

See Individual Pole Notes for Dimensions, Hand Hole Notes, Bolt Circle Templates, and EPA Notes.

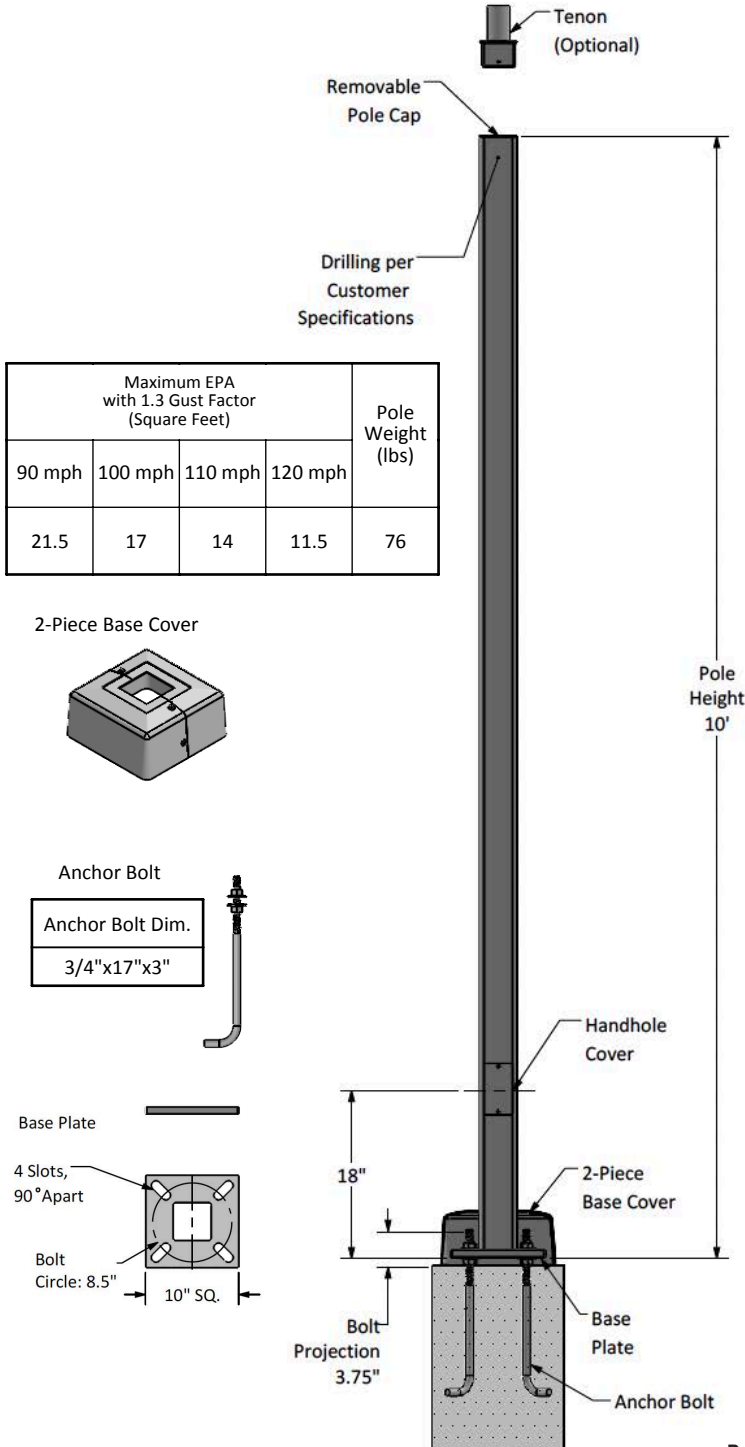


| Part (Diameter/Height/Gauge) | Finish | Pole Top | Custom Length |
|-----------------------------------|----------------------------|---|---|
| HSSS-4-10-11G (4"SQ/10'H/11Gauge) | DBZ BLK* WH* GRY* | TNM: 2-3/8"D x 4"H Tenon included. SMD: Side Mount Drill - Customer supplies Pattern. <small>Pole Top Accessories are ordered separately and are available on page 7</small> | CL-XX <i>If custom length is desired, list it here</i> |
| HSSS-4-15-11G (4"SQ/15'H/11Gauge) | | | |
| HSSS-4-20-11G (4"SQ/20'H/11Gauge) | | | |
| HSSS-4-25-11G (4"SQ/25'H/11Gauge) | | | |
| HSSS-4-25-07G (4"SQ/25'H/7Gauge) | | | |
| HSSS-5-30-07G (5"SQ/30'H/7Gauge) | | | |
| HSSS-5-35-07G (5"SQ/35'H/7Gauge) | | | |
| HSSS-6-35-07G (6"SQ/35'H/7Gauge) | | | |
| HSSS-6-39-07G (6"SQ/39'H/7Gauge) | | | |

*Special Order- MOQ and Longer Lead Times may Apply.

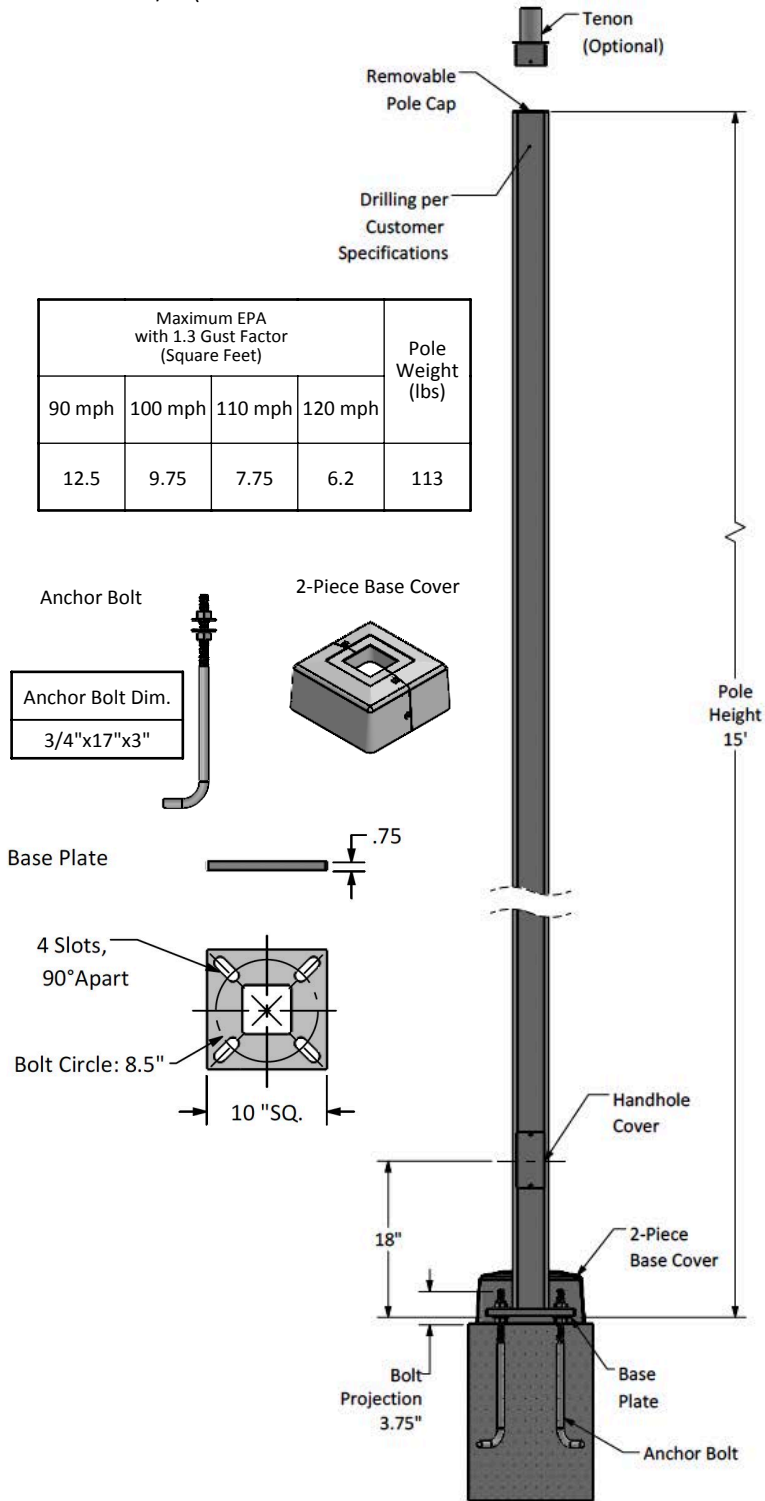
8

Pole Shaft and Height: 4 inch square 11 gauge commercial grade steel with minimum yield strength of 50,000 psi. Pole height is 10 ft.
Handhole: 2" X 4" size handhole is located at 18 inches from the base. Handhole cover with 2 screws is provided. A ground lug with set screw is located near the handhole opening for proper grounding of the pole.
Bolt Circle: 8-1/2" (Bolt Circle Range 8"-11")



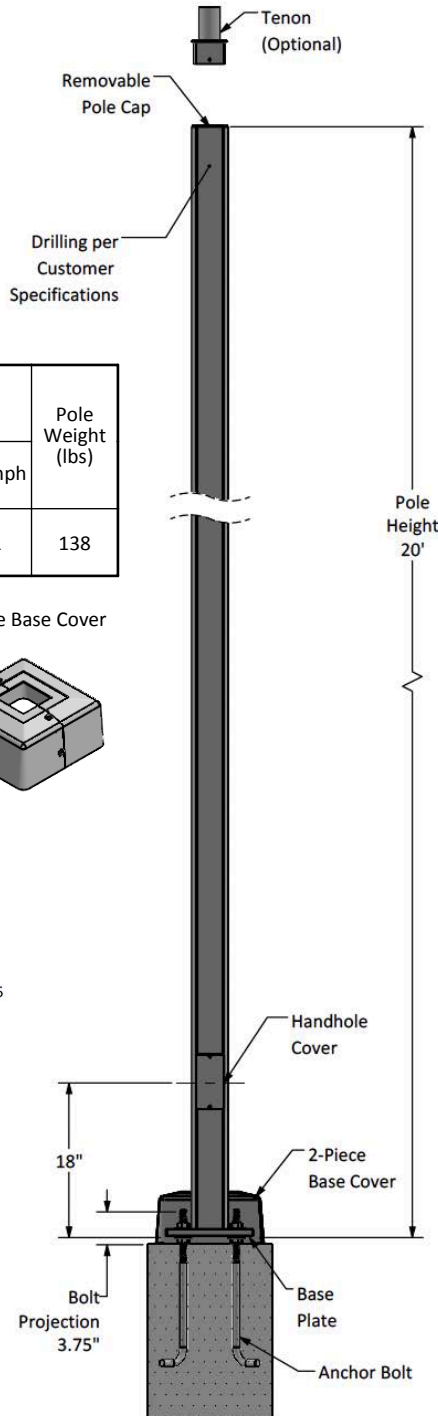
5 8

Pole Shaft and Height: 4 inch square 11 gauge commercial grade steel with minimum yield strength of 50,000 psi. Pole height is 15 ft.
Handhole: 2" X 4" size handhole is located at 18 inches from the base. Handhole cover with 2 screws is provided. A ground lug with set screw is located near the handhole opening for proper grounding of the pole.
Bolt Circle: 8-1/2" (Bolt Circle Range 8"-11")

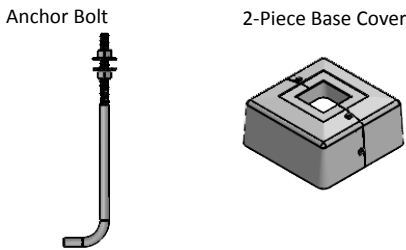


HSSS-4-20-11G

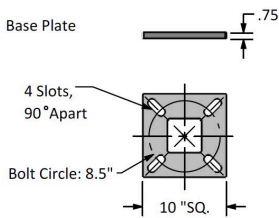
Pole Shaft and Height: 4 inch square 11 gauge commercial grade steel with minimum yield strength of 50,000 psi. Pole height is 20 ft.
Handhole: 2" X 4" size handhole is located at 18 inches from the base. Handhole cover with 2 screws is provided. A ground lug with set screw is located near the handhole opening for proper grounding of the pole.
Bolt Circle: 8-1/2" (Bolt Circle Range 8"-11")



| Maximum EPA with 1.3 Gust Factor (Square Feet) | | | | Pole Weight (lbs) |
|--|---------|---------|---------|-------------------|
| 90 mph | 100 mph | 110 mph | 120 mph | |
| 8 | 5.75 | 4.3 | 3.1 | 138 |

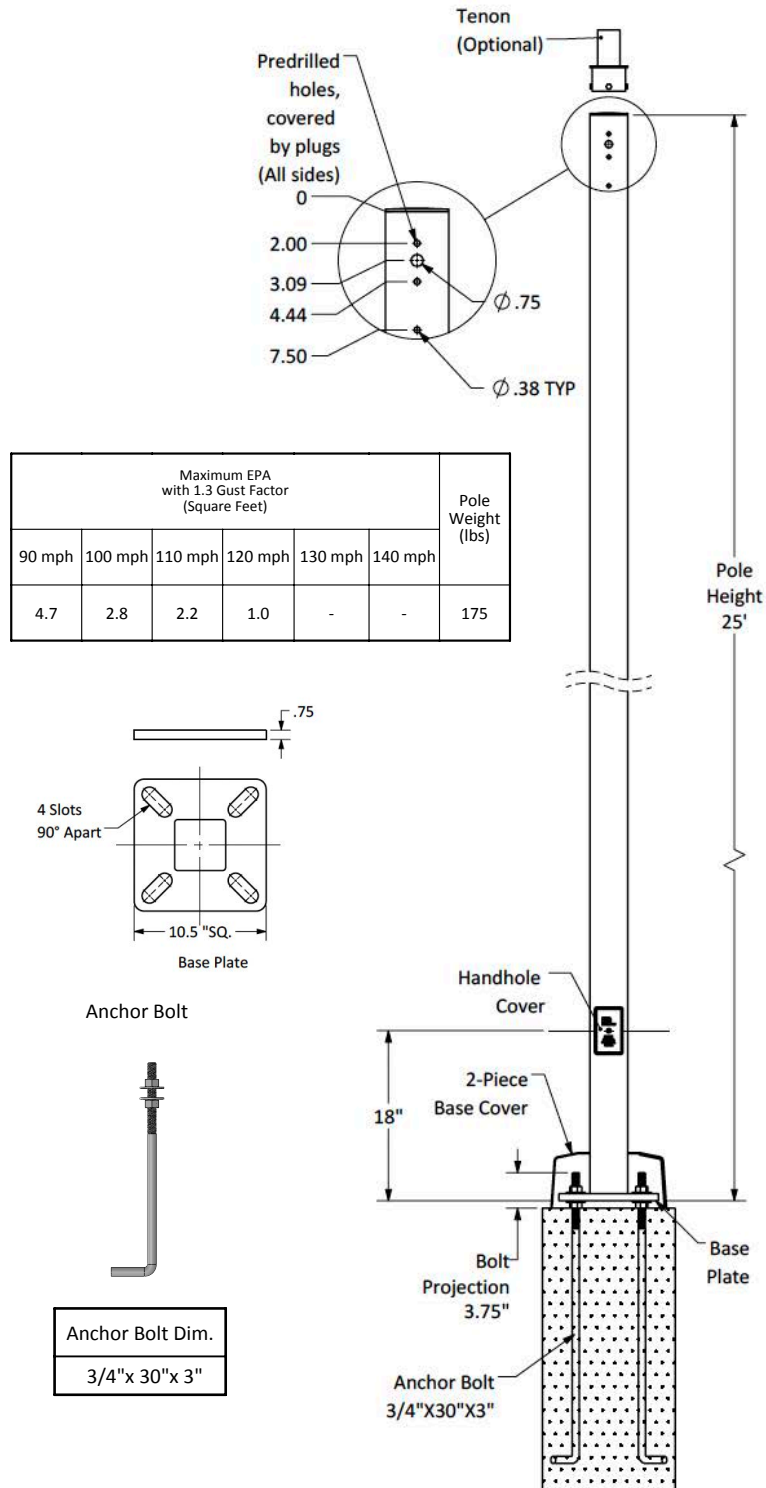


| |
|------------------|
| Anchor Bolt Dim. |
| 3/4"x17"x3" |

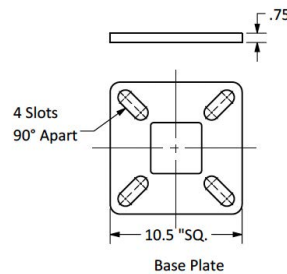


HSSS-4-25-11G

Pole Shaft and Height: 4 inch square 11 gauge commercial grade steel with minimum yield strength of 50,000 psi. Pole height is 25 ft.
Handhole: 3" X 5" size reinforced handhole is located at 18 inches from the base. A ground lug with set screw is located near the handhole opening for proper grounding of the pole.
Bolt Circle: 8.5 inches (Bolt Circle Range: 8"-11").

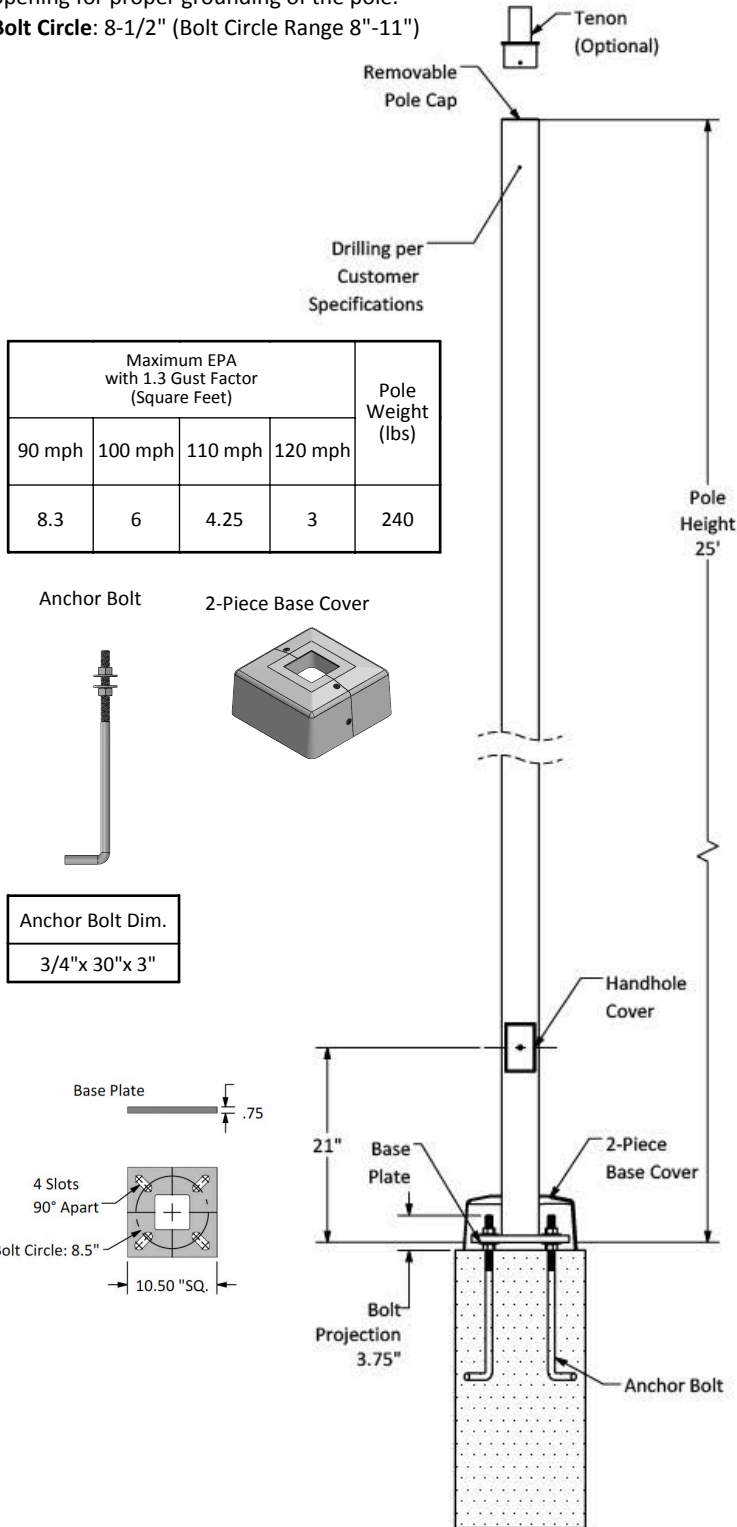


| Maximum EPA with 1.3 Gust Factor (Square Feet) | | | | | | Pole Weight (lbs) |
|--|---------|---------|---------|---------|---------|-------------------|
| 90 mph | 100 mph | 110 mph | 120 mph | 130 mph | 140 mph | |
| 4.7 | 2.8 | 2.2 | 1.0 | - | - | 175 |



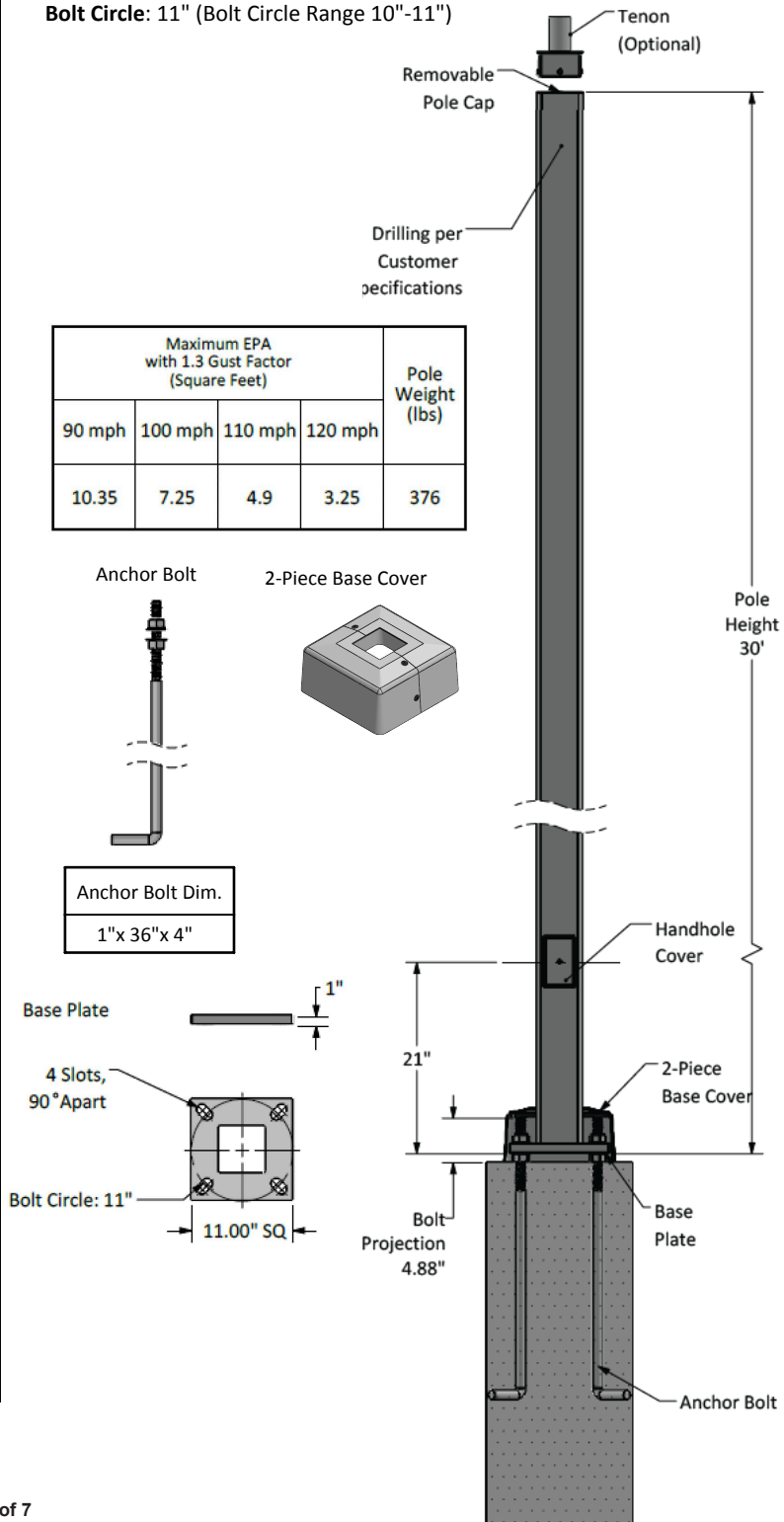
HSSS-4-25-07G

Pole Shaft and Height: 4 inch square 7 gauge commercial grade steel with minimum yield strength of 50,000 psi. Pole height is 25 ft.
Handhole: 2.5" X 4.5" size reinforced handhole is located at 21 inches from the base. A ground lug with set screw is located near the handhole opening for proper grounding of the pole.
Bolt Circle: 8-1/2" (Bolt Circle Range 8"-11")



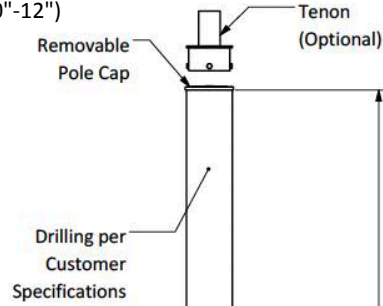
HSSS-5-30-07G

Pole Shaft and Height: 5 inch square 7 gauge commercial grade steel with minimum yield strength of 50,000 psi. Pole height is 30 ft.
Handhole: 2.5" X 4.5" size handhole is located at 21 inches from the base. A ground lug with set screw is located near the handhole opening for proper grounding of the pole.
Bolt Circle: 11" (Bolt Circle Range 10"-11")

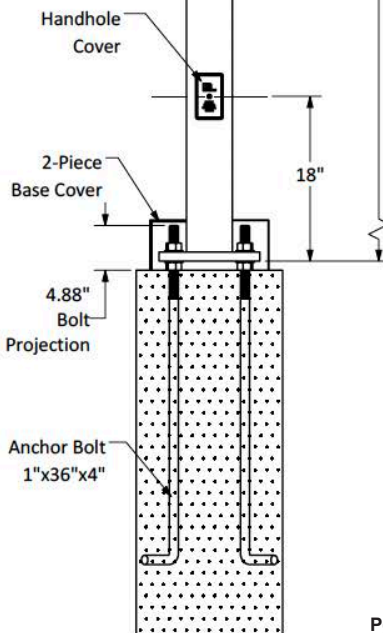
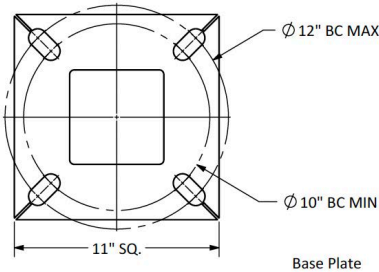


HSSS-5-35-07G

Pole Shaft and Height: 5 inch square 7 gauge commercial grade steel with minimum yield strength of 50,000 psi. Pole height is 35 ft.
Handhole: 3" X 5" size reinforced handhole is located at 18 inches from the base. A ground lug with set screw is located near the handhole opening for proper grounding of the pole.
Bolt Circle: 11" (Bolt Circle Range 10"-12")

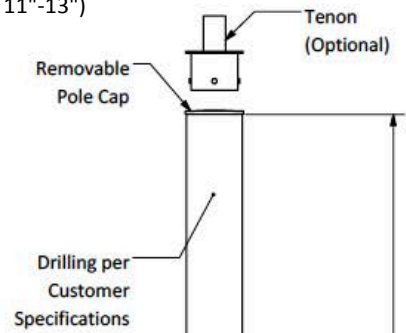


| Maximum EPA with 1.3 Gust Factor (ft ²) per AASHTO LRFDLTS-1 | | | | Pole Weight (lbs) |
|--|---------|---------|---------|-------------------|
| 90 mph | 100 mph | 110 mph | 120 mph | |
| 6.9 | 4.0 | 3.1 | 1.2 | 450 |

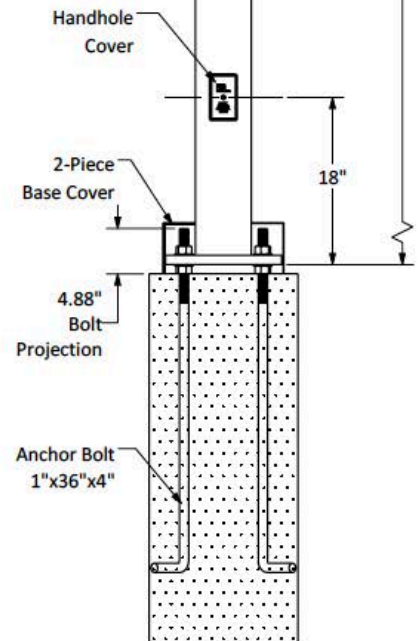
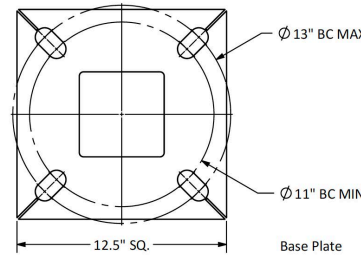


HSSS-6-35-07G

Pole Shaft and Height: 6 inch square 7 gauge commercial grade steel with minimum yield strength of 50,000 psi. Pole height is 35 ft.
Handhole: 3" X 5" size reinforced handhole is located at 18 inches from the base. A ground lug with set screw is located near the handhole opening for proper grounding of the pole.
Bolt Circle: 12" (Bolt Circle Range 11"-13")



| Maximum EPA with 1.3 Gust Factor (ft ²) per AASHTO LRFDLTS-1 | | | | | Pole Weight (lbs) |
|--|---------|---------|---------|---------|-------------------|
| 90 mph | 100 mph | 110 mph | 120 mph | 130 mph | |
| 12.6 | 8.0 | 6.8 | 3.9 | 1.6 | 555 |



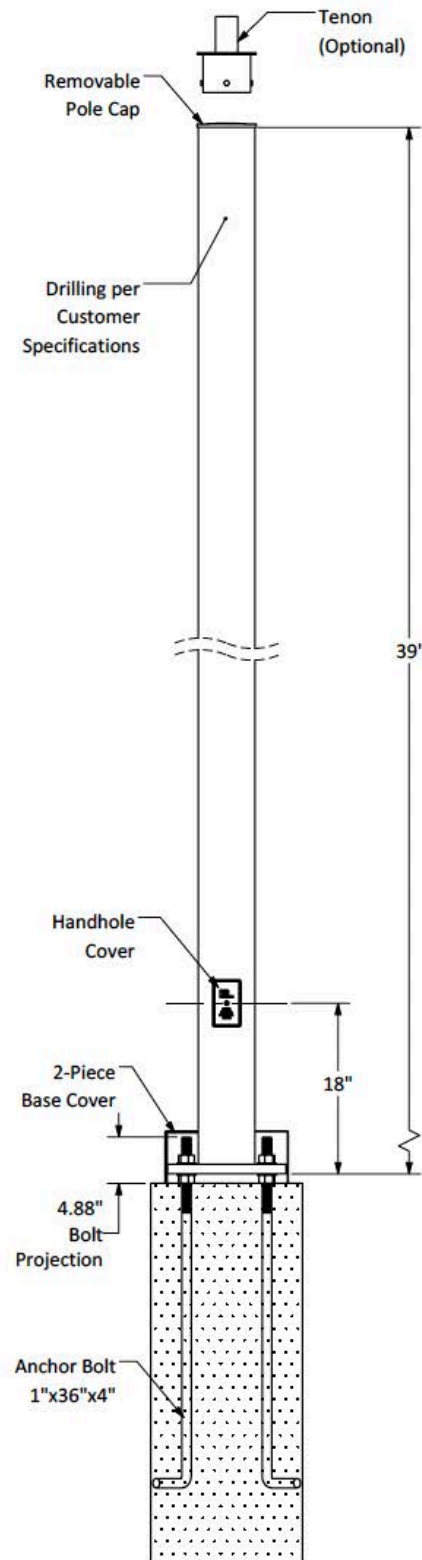
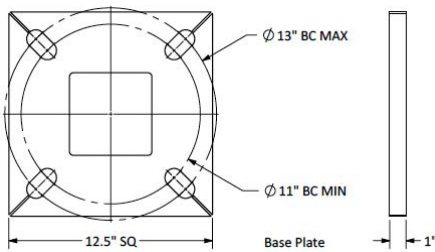
HSSS-6-39-07G

Pole Shaft and Height: 6 inch square 7 gauge commercial grade steel with minimum yield strength of 50,000 psi. Pole height is 39 ft.

Handhole: 3" X 5" size reinforced handhole is located at 18 inches from the base. A ground lug with set screw is located near the handhole opening for proper grounding of the pole.

Bolt Circle: 12" (Bolt Circle Range 11"-13")

| Maximum EPA with 1.3 Gust Factor (ft ²) per AASHTO LRFDLTS-1 | | | | Pole Weight (lbs) |
|--|---------|---------|---------|-------------------|
| 90 mph | 100 mph | 110 mph | 120 mph | |
| 8.2 | 4.2 | 3.1 | 0.6 | 610 |



Steel Pole Accessories

Standard Bullhorns:



HSBH-2-180 Steel Bullhorn with 2 Arms at 180°



HSBH-3-120 Steel Bullhorn with 3 Arms at 120°



HSBH-4-90 Steel Bullhorn with 4 Arms at 90°

Low Profile Bullhorns:



HPSBH-2-180 Low Profile Bullhorn with 2 Tenons



HPSBH-3-120 Low Profile Bullhorn with 3 Tenons at 120°



HPSBH-4-90 Low Profile Bullhorn with 4 Tenons at 90°

Spoke Brackets:



HSPKB-2-180 Spoke Bracket with 2 Arms at 180°



HSPKB-3-120 Spoke Bracket with 3 Arms at 120°



HSPKB-4-90 Spoke Bracket with 4 Arms at 90°

Ask about Other Pole Top Accessories

Ordering Information

| Part# | Finish |
|-------------|--|
| HSBH-2-180 | Steel Bullhorn with 2 Arms at 180° |
| HSBH-3-120 | Steel Bullhorn with 3 Arms at 120° |
| HSBH-4-90 | Steel Bullhorn with 4 Arms at 90° |
| HPSBH-2-180 | Low Profile Bullhorn with 2 Tenons |
| HPSBH-3-120 | Low Profile Bullhorn with 3 Tenons at 120° |
| HPSBH-4-90 | Low Profile Bullhorn with 4 Tenons at 90° |
| HSPKB-2-180 | Spoke Bracket with 2 Arms at 180° |
| HSPKB-3-120 | Spoke Bracket with 3 Arms at 120° |
| HSPKB-4-90 | Spoke Bracket with 4 Arms at 90° |
| | DBZ |
| | BLK* |
| | WH* |
| | GRY* |