



Job Name: _____

Type: _____

Part #: _____

Notes: _____

LSWP

About:

The LSWP is a UL-924 Listed, low-profile, zero-uplight architectural LED wallpack with integral emergency battery backup for egress applications. The LSWP is cold weather-rated and its fully gasketed die-cast enclosure is IP65 rated for wet conditions. The LSWP delivers 1500lm in AC mode and 600lm in emergency mode. The fixture is available with an optional energy efficient, passive infrared (PIR) sensor.

Internal:

The LSWP Series LED wallpack features a standard integral photo control for use in dusk to dawn applications. The photo control can be disabled for use in always on or manually switchable applications. The fixture uses a rechargeable, maintenance-free nickel cadmium battery with 120-277V input. The LSWP operates at temperatures from -25°C to 50°C (-13°F to 122°F).

External:

The LSWP's die-cast aluminum housing snap-fits to a mounting plate for easy access and installation. A universal knockout pattern on back for mounting to 3" or 4" J-box, and a 1/2" threaded conduit entry is on top. The LED array is protected by a high-impact, UV-resistant polycarbonate lens that delivers 1500 lm in a Type I distribution.

Technical:

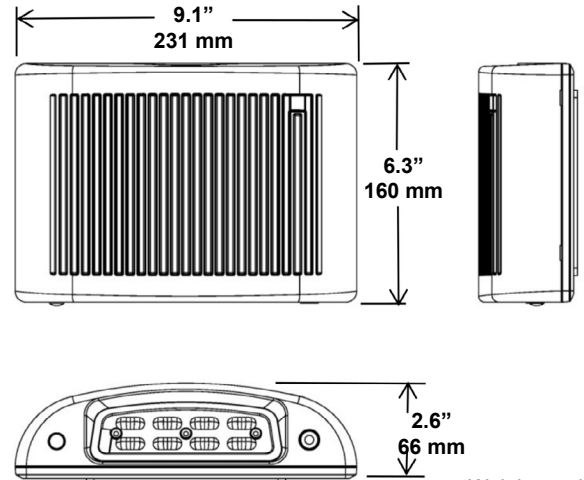
BATTERY: The LSWP uses long-life, maintenance-free, rechargeable high temperature, 7.2V, 2.Ah NiCad battery which includes an internal heater suitable for cold locations (heater draws an additional 17W for a total of 32W). Maximum recharge time is 24 hours.

Installation:

The LSWP is ideal for mounting to any vertical surface by attaching to a 3" or 4" J-box. It can also be surface mounted using the 1/2" conduit access located on the top of the housing.



Dimensions



Weight: 4.5 lb

Warranty:

The LSWP comes with a 5-year factory warranty. Battery is prorated for two years. Deliberate damage, misuse, improper installation effectively cancel the warranty.



Ordering Logic:

Series	Operation	Color Temperature	Finish	Std Feature	Options
LSWP	ACEM	4K	BR (bronze) W (white) BK (black)	CW (cold location)	PIR (passive infrared motion sensor)

NOTE1: Consult factory for additional color temperatures and finishes. Lead time and MOQs may apply.



Job Name: _____

Type: _____

Part #: _____

Notes: _____

Battery Backup:

The standard LSWP includes battery back-up which delivers 600 lm in emergency mode and operates a minimum of 90 minutes during a loss of power. The LSWP comes standard with self-test/self-diagnostics, as well as a heater for cold location operation down to -25°C. The test switch and AC power indicator are located on the bottom face of the unit. The LSWP-SA is UL 924 Listed, and NFPA70 and NFPA101 rated.

Integral Controls:

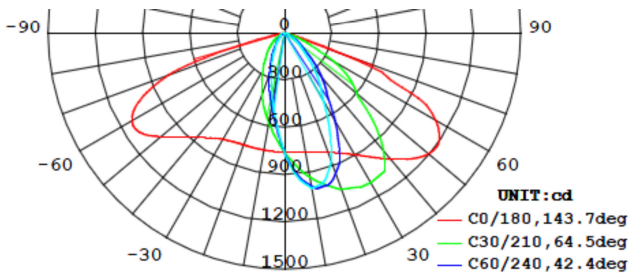
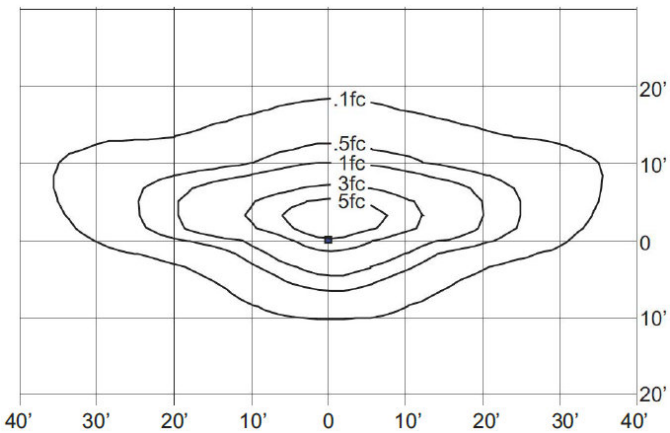
Standard Unit: The standard LSWP unit includes a photo control that will automatically turn on the luminaire when lux < 10 is reached, and automatically turn off luminaire at > 30 lux. The photo control may be easily disabled for use with a timer or manual switch.

PIR sensor option: In AC mode, the passive infrared motion sensor will activate the luminaire ONLY when motion is sensed within its detection range during dawn to dusk operation. After two minutes of inactivity, the fixture will shut off. The PIR sensor and photo control cannot be disabled.

photometrics

AC Mode

Mounted at 10'



Mounting Height	PIR Detection Radius
8'	6.6'
10'	8.2'
11.5'	10'

Emergency Mode

Mounting multiple LSWP wallpacks at 10' height delivers 60' on-center spacing with a 6' or 3' path of egress.

Mounting Height	On-Center Spacing
7.5'	50'
10'	60'

